



SPARE PARTS / RESERVDELAR 2017

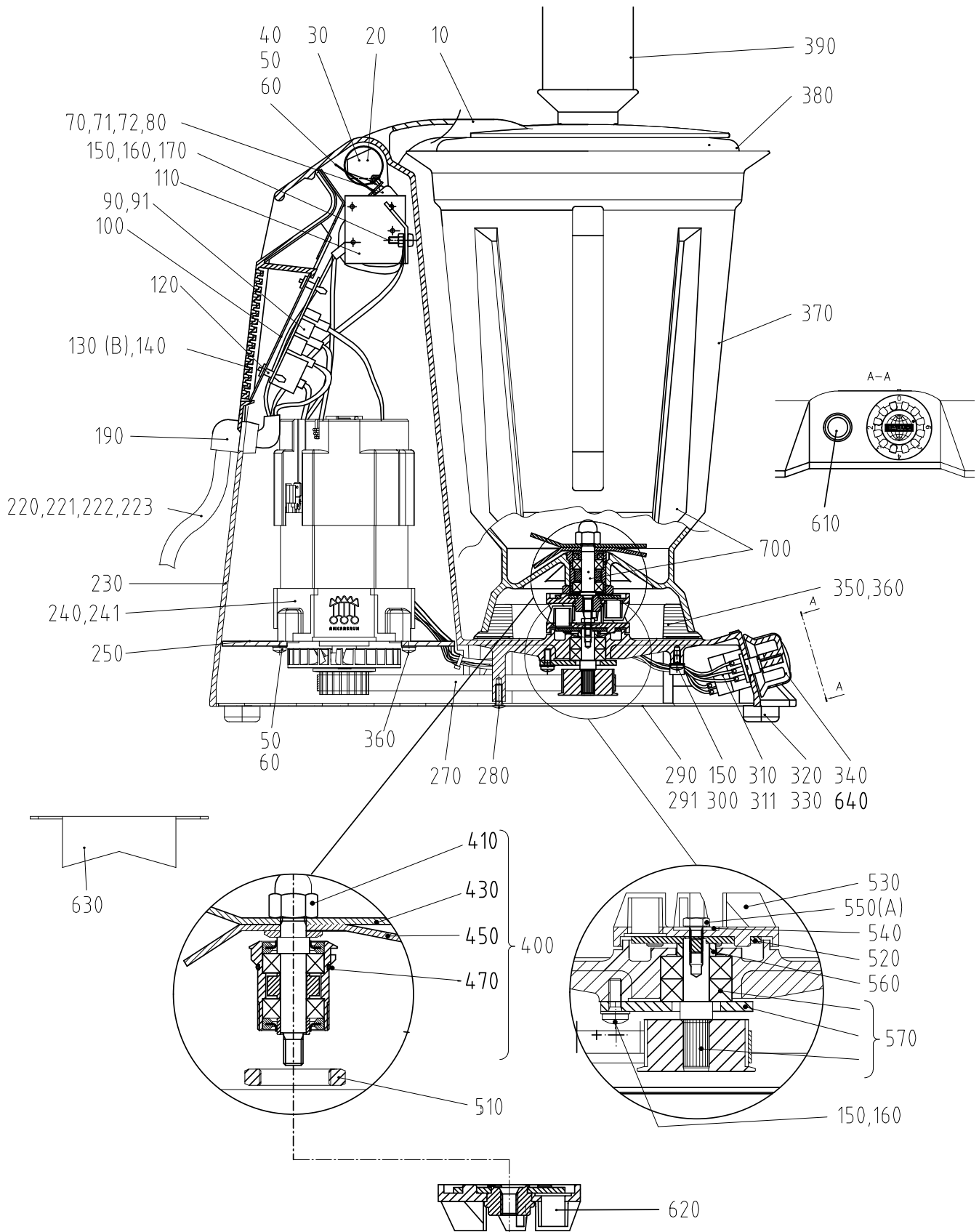
Food Preparation Machines - Made in Sweden 



halde.com

SB-4L-2

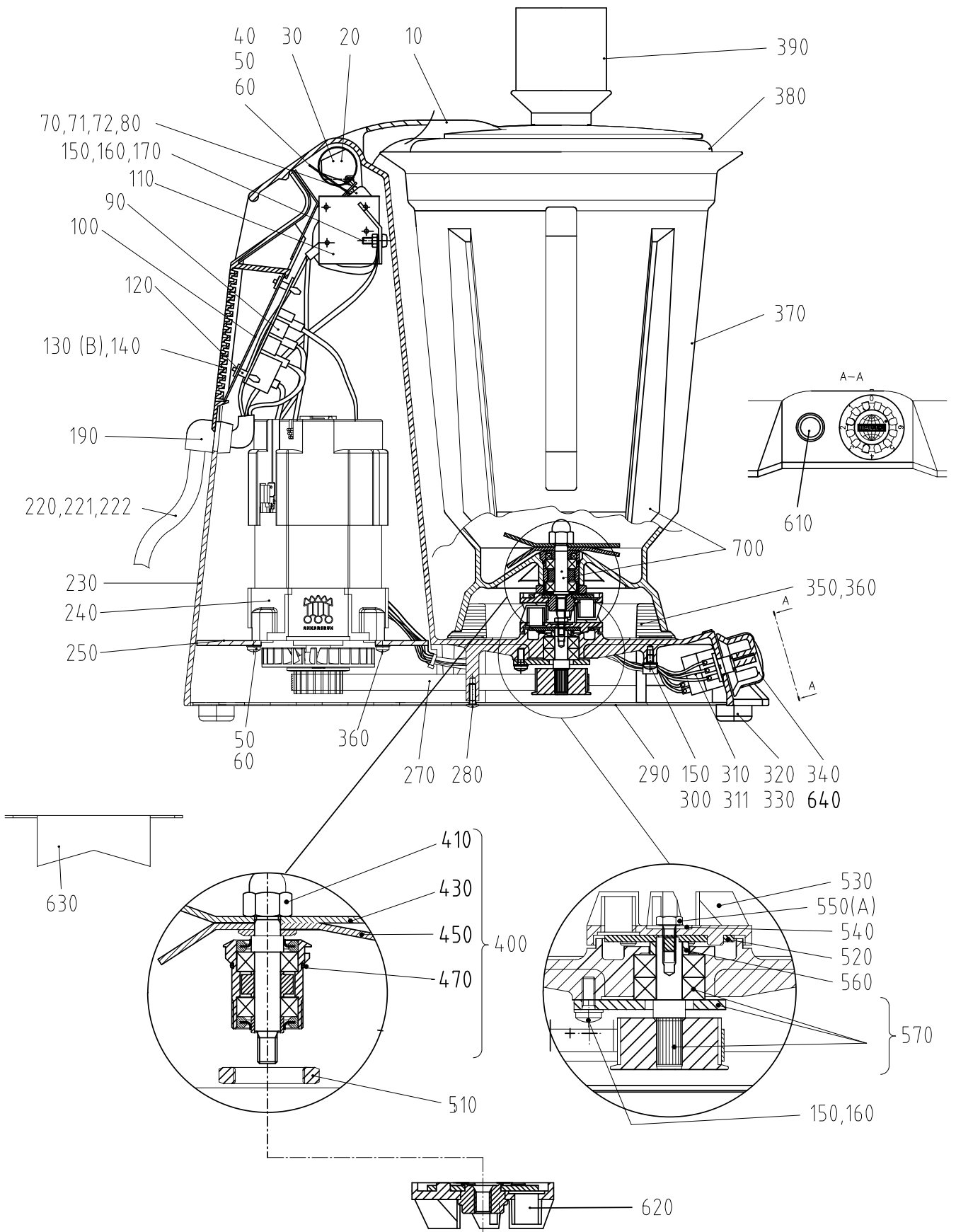
No. on drawing	Item No.	Description	Beskrivning	Pcs
10	23142	Support, lid	Lockhållare	1
20	23171	Plug for camshaft	Täckpropp f. kamaxel	1
30	23157	Camshaft	Kamaxel	1
40	23166	Springblade	Bladfjäder	1



A: LOCTITE NO. 242
 B: SILICONE RTV 108

SB-4L-2

No. on drawing	Item No.	Description	Beskrivning	Pcs
50	14339	Screw MRX-H M5X12 A2 70	Skruv MRT M5X12 H	6
60	14085	Lock washer FBB 5,1 A2	FjäderBricka FBB 5.1 A2	6
70	15565	Micro switch XGT42C-86-S20Z1	Mikrobrytare XGT2C-86-S20Z1 1	1
71	23227	Insulating barrier for switch	Isolerskiva för mikrobrytare	1
72	14613	Screw RTK ST2.9X16 A2 70	Skruv RTK ST2.9X16 A2	2
80	14062	Washer BRB 5,3X15X1,2	Bricka BRB 5,3X15X1,2 A2	2
90	24346	Pc-bord SB-4 230 1 50	Kretskort SB-4 230 1 50	1
91	23180	PC-board 120V,SB-4	Kretskort 120V,SB-4	1
100	23314	Protection plate, AM	Täckplåt, galler AM	1
110	23313	Bracket, microswitch 120-240V	Fästplåt, mikrobr. 120-240V	1
120	15527	Bracket for PC-board AVC BS-9A	Korthållare CS-0610 (48-904-22	4
130	23145	Louver	Ventilationsgaller	1
140	14223	Screw MKFS M4X 10 A2 70	Skruv MKFS M4X10 A2 70	2
150	14332	Screw,met, M4 X0.7 X 10MM	Skruv MRX-H M4X10 A2 70	5
160	14084	Lock washer FBB 4.1 A2	Bricka fjäder FBB 4.1 A2	4
170	14004	Nut M6M M4 A2 70	Mutter M6M M4 A2 70	1
190	15555	Cable retainer 1397 SR-17-2	Dragavlastare 1397 SR-17-2	1
220	23323	Supply cord, SB-4L-1	Sladdställ, SB-4L-1	1
221	23238	Supply cord 240V AUS	Sladdställ 240V SB-4 AU/NZ	1
222	23239	Supply cord 240V UK	Sladdställ 240V UK	1
223	23237	Supply cord, 100-120V	Sladdställ, 100-120V	1
230	23158	Machine housing	Maskinhus	1
240	15727	Motor 220-240 1 50/60	Motor 220-240 1 50/60	1
241	23327	Motor unit 110-120V 50/60	Motorenhet 110-120V 50/60	1
250	23315	Motor plate	Motorplåt	1
270	15726	Belt megarubber PV J 406	Poly V rem megadyne PV 406 J5	1
280	14424	Screw LSKS M4X12 A2 70	Skruv LSKS M4X12 A2 70	1
290	23312	Protection plate	Bottenplåt	1
291	23325	Damping 100X230	Dämpmatta	1
300	15357	Cable clamp	Kabelklämma NK-4 N	2
310	23197	Potentiometer OMEG	Potentiometer OMEG	1
311	23184	Insulating barrier f. pot.OMEG	Isolerskiva för pot. OMEG	1
320	10507	Foot, rubber BVO 22H10	Fot, gummi BVO 22H10	4
330	40786	Screw for rubberfoot	Skruv för gummifot	4
340	23148	Knob,indikator	Vred	1
350	23144	Support for bowl	Buffert	4
360	14753	Screw RT-PTF 5.0X20FZ	Skruv RT-PTF 5.0X20FZB TORX/FL	4
370	23246	Jug 4L	Kanna 4L	1
380	23141	Lid	Lock	1
390	23167	Oil dosing bowl	Oljedoserare	1
400	23308	Knife unit compl.	Knivlagring kompl. (ny kniv)	1
410	14028	Nut MHM M8	Kupollåsmutter LMHM M8 A2	1
430	23268	Knife over, MO03	Kniv över L=72 MO03	1
450	23269	Knife under, MO03	Kniv under L=72 MO03	1
470	10539	O-ring 21.1X1.6	O-ring 21.1X1.6	1
510	23231	Nut M22X1	Mutter M22X1	1
520	23161	Washer for coupling	Bricka f.koppling	1
530	23173	Coupling, machine	Koppling, maskin	1
540	14078	Washer	Bricka BRB 4,3X12X1,5 A2	1
550	14501	Screw M6S M4X8 A2 70	Skruv M6S M4X8H A2 70	1
560	23150	Spacer ring L=4	Distansring L=4	1
570	23326	Drive shaft compl.	Drivaxel komplett	1
610	23322	Push button,pulse compl.	Pulsknapp kompl.	1
620	23253	Coupling compl.. M6, JUG	Kopplingshalva kompl. M6, KANN	1
630	23248	Knife guard	Knivskydd	1
640	24138	Blade spring for knob	Bladfjäder, vred	1
700	23309	Container 4L incl.knife unit	Kanna (m. ny kniv), utan lock	1

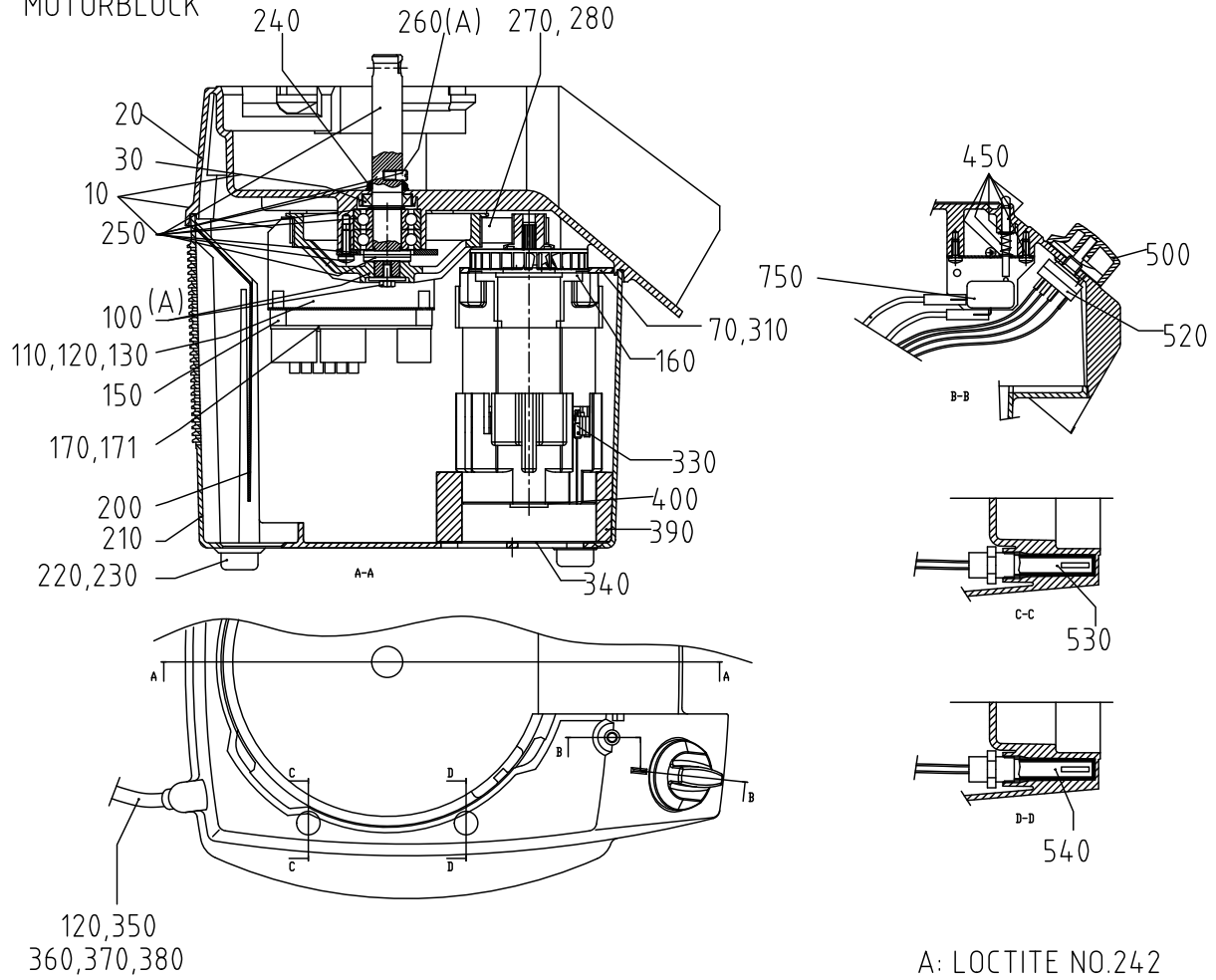


A: LOCTITE NO. 242
 B: SILICONE RTV 108

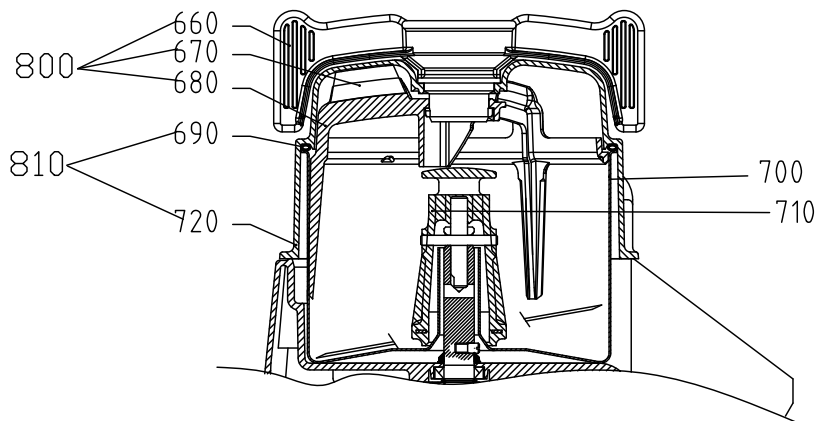
SB-4L-1

No. on drawing	Item No.	Description	Beskrivning	Pcs
10	23142	Support, lid	Lockhållare	1
20	23171	Plug for camshaft	Täckpropp f. kamaxel	1
30	23157	Camshaft	Kamaxel	1
40	23166	Springblade	Bladfjäder	1
50	14339	Screw MRX-H M5X12 A2 70	Skruv MRT M5X12 H	6
60	14085	Lock washer FBB 5,1 A2	FjäderBricka FBB 5.1 A2	6
70	15565	Micro switch XGT42C-86-S20Z1	Mikrobrytare XGT2C-86-S20Z1 1	1
71	23227	Insulating barrier for switch	Isolerskiva för mikrobrytare	1
72	14613	Screw RTK ST2.9X16 A2 70	Skruv RTK ST2.9X16 A2	2
80	14062	Washer BRB 5,3X15X1,2	Bricka BRB 5,3X15X1,2 A2	2
90	24346	Pc-bord SB-4 230 1 50	Kretskort SB-4 230 1 50	1
100	23314	Protection plate, AM	Täckplåt, galler AM	1
110	23313	Bracket, microswitch 120-240V	Fästplåt, mikrobr. 120-240V	1
120	15527	Bracket for PC-board AVC BS-9A	Korthållare CS-0610 (48-904-22	4
130	23145	Louver	Ventilationsgaller	1
140	14223	Screw MKFS M4X 10 A2 70	Skruv MKFS M4X10 A2 70	2
150	14332	Screw,met, M4 X0.7 X 10MM	Skruv MRX-H M4X10 A2 70	5
160	14084	Lock washer FBB 4.1 A2	Bricka fjäder FBB 4.1 A2	4
170	14004	Nut M6M M4 A2 70	Mutter M6M M4 A2 70	1
190	15555	Cable retainer 1397 SR-17-2	Dragavlastare 1397 SR-17-2	1
220	23323	Supply cord, SB-4L-1	Sladdställ, SB-4L-1	1
221	23238	Supply cord 240V AUS	Sladdställ 240V SB-4 AU/NZ	1
222	23239	Supply cord 240V UK	Sladdställ 240V UK	1
230	23158	Machine housing	Maskinhus	1
240	15709	Motor 220-240 1 50/60	Motor 220-240 1 50/60	1
250	23315	Motor plate	Motorplåt	1
270	10551	Belt power grip 5MR 0400 12	Kuggrem 5MR 0400 12	1
280	14424	Screw LSKS M4X12 A2 70	Skruv LSKS M4X12 A2 70	1
290	23312	Protection plate	Bottenplåt	1
300	15357	Cable clamp	Kabelklämma NK-4 N	2
310	23197	Potentiometer OMEG	Potentiometer OMEG	1
311	23184	Insulating barrier f. pot.OMEG	Isolerskiva för pot. OMEG	1
320	10507	Foot, rubber BVO 22H10	Fot, gummi BVO 22H10	4
330	40786	Screw for rubberfoot	Skruv för gummifot	4
340	23148	Knob,indikator	Vred	1
350	23144	Support for bowl	Buffert	4
360	14753	Screw RT-PTF 5.0X20FZ	Skruv RT-PTF 5.0X20FZB TORX/FL	4
370	23246	Jug 4L	Kanna 4L	1
380	23141	Lid	Lock	1
390	23167	Oil dosing bowl	Oljedoserare	1
400	23308	Knife unit compl.	Knivlagring kompl. (ny kniv)	1
410	14028	Nut MHM M8	Kupollåsmutter LMHM M8 A2	1
430	23268	Knife over, MO03	Kniv över L=72 MO03	1
450	23269	Knife under, MO03	Kniv under L=72 MO03	1
470	10539	O-ring 21.1X1.6	O-ring 21.1X1.6	1
510	23231	Nut M22X1	Mutter M22X1	1
520	23161	Washer for coupling	Bricka f.koppling	1
530	23173	Coupling, machine	Koppling, maskin	1
540	14078	Washer	Bricka BRB 4,3X12X1,5 A2	1
550	14501	Screw M6S M4X8 A2 70	Skruv M6S M4X8H A2 70	1
560	23150	Spacer ring L=4	Distansring L=4	1
570	23138	Drive shaft compl.	Drivaxel komplett	1
610	23322	Push button,pulse compl.	Pulsknapp kompl.	1
620	23253	Coupling compl.. M6, JUG	Kopplingshalva kompl. M6, KANN	1
630	23248	Knife guard	Knivskydd	1
640	24138	Blade spring for knob	Bladfjäder, vred	1
700	23309	Container 4L incl.knife unit	Kanna (m. ny kniv), utan lock	1

MOTOR BASE
MOTORBLOCK



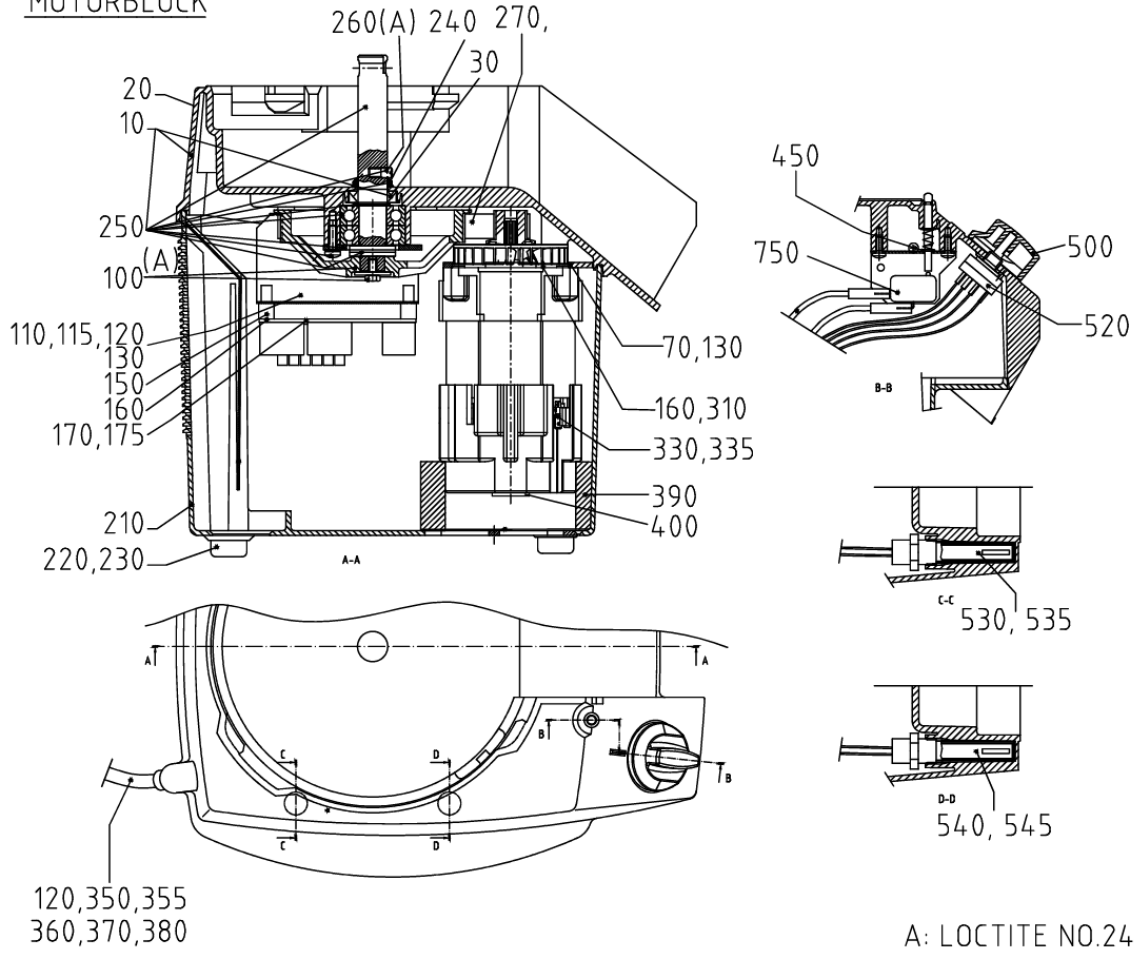
CUTTER/MIXER BOWL ATTACHMENT
SNABBHACKS-TILLSATS



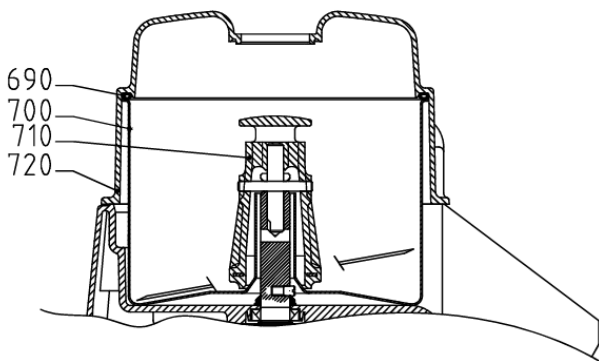
VCB-32

No. on drawing	Item No.	Description	Beskrivning	Pcs
10	1412	Housing, top inkl knife shaft	Maskinhus överdel med knivaxel	1
20	14249	Screw MKFX-H M5X14 A2-70	Skruv MKFX-H M5X14 A2-70	4
30	10259	Rubber seal washer 18X30X7	Tätningring 18X30X7 NBR typ a	1
70	14344	Screw M5X12	Skruv ECOSYN-FIX M5X12, A2	4
100	1411	Pulley, knife shaft compl.	Remhjul knivaxel kompl.	1
110	24293	El.-plate, AM	Elplåt, kretskort AM	1
120	14851	Screw MRT M4X10 A2	Skruv MRT M4X10 A2	8
130	14084	Lock washer FBB 4.1 A2	Bricka fjäder FBB 4.1 A2	1
150	15527	Bracket for PC-board AVC BS-9A	Korthållare CS-0610 (48-904-22	4
160	14753	Screw RT-PTF 5.0X20FZ	Skruv RT-PTF 5.0X20FZB TORX/FL	4
170	24343	PC-board CC 230 1 50	Kretskort CC 230 1 50	1
171	24344	PC-board CC 110v,60	Kretskort CC 110 1 60	1
200	24176	Protection plate for lover	Stänklåt	1
210	24340	Housing, base	Maskinhus, underdel	1
220	10494	Rubber foot F-107 B	Fot,gummi M RFR bricka F-107 B	4
230	14333	Screw MRX-H M4X12 A2 70	Skruv MRX-H M4X12 A2 70	4
240	10262	Seal ring V-18S	V-ring typ s 18mm	1
250	1410	Knife shaft compl.	Knivaxel komplett	1
260	24146	Pin, knife shaft	Medbringarstift, knivaxel	1
270	10679	Belt GT 3MR 0408 18	Kuggrem rpp 405 rpp3 18	1
280	24291	Pulley wheel	Brytrulle, kompl.	1
310	24292	Bracket, motor AM	Motorplåt, AM	1
330	15711	Motor 220-240 1 50/60	Motor 220-240 1 50/60	1
340	24300	Net	Nät	1
350	24210	Supply cord 230v CE (1)	Sladdställ 230V CE (1)	1
360	10589	Strain relief clamp 55-016-89	Dragavl.klämma 55-016-89	1
370	14336	Screw MRT-H M4X25 A2 70	Skruv MRT-H M4X25 A2 70	2
380	15422	Cable support NK-5N	Kabelklämma NK-5N	1
390	24296	Seal ring, fan	Tätningstos, fläkt	1
450	1413	Activator pin, safety switch	Tryckstång mikrobryt. kompl	1
500	24152	Knob, speed cont with spring	Vred, hastighet m. bladfjäder	1
520	24294	Rotary switch, CC-34-1	Strömställare, CC-34-1 AM UL	1
530	24278	Magnetic switch, safety	Magnetbrytare, säkerhet	1
540	24274	Magnetic switch, speed-control	Magnetbrytare, hastighet	1
660	24134	Scraper handle	Avskrapare, handtag	1
670	24132	Scraper blade	Torkarblad, avskrapare	3
680	24135	Scraper ring	Avskrapare, ring	1
690	24133	Seal ring dia.5	Tätningring dia.5	1
700	24151	Bowl 3L	Kärl 3L	1
710	24153	Knife head	Knivhuvud	1
720	24172	Lid	Lock	1
750	24116	Microswitch unit, CC-32/34-1	Mikrobrytarenhet, CC-32/34-1	1
800	24244	Scraper assy	Avskrapare	1
810	24245	Lid incl. seal ring	Lock för kärl inkl. tätningstri	1

MOTOR BASE
MOTORBLOCK

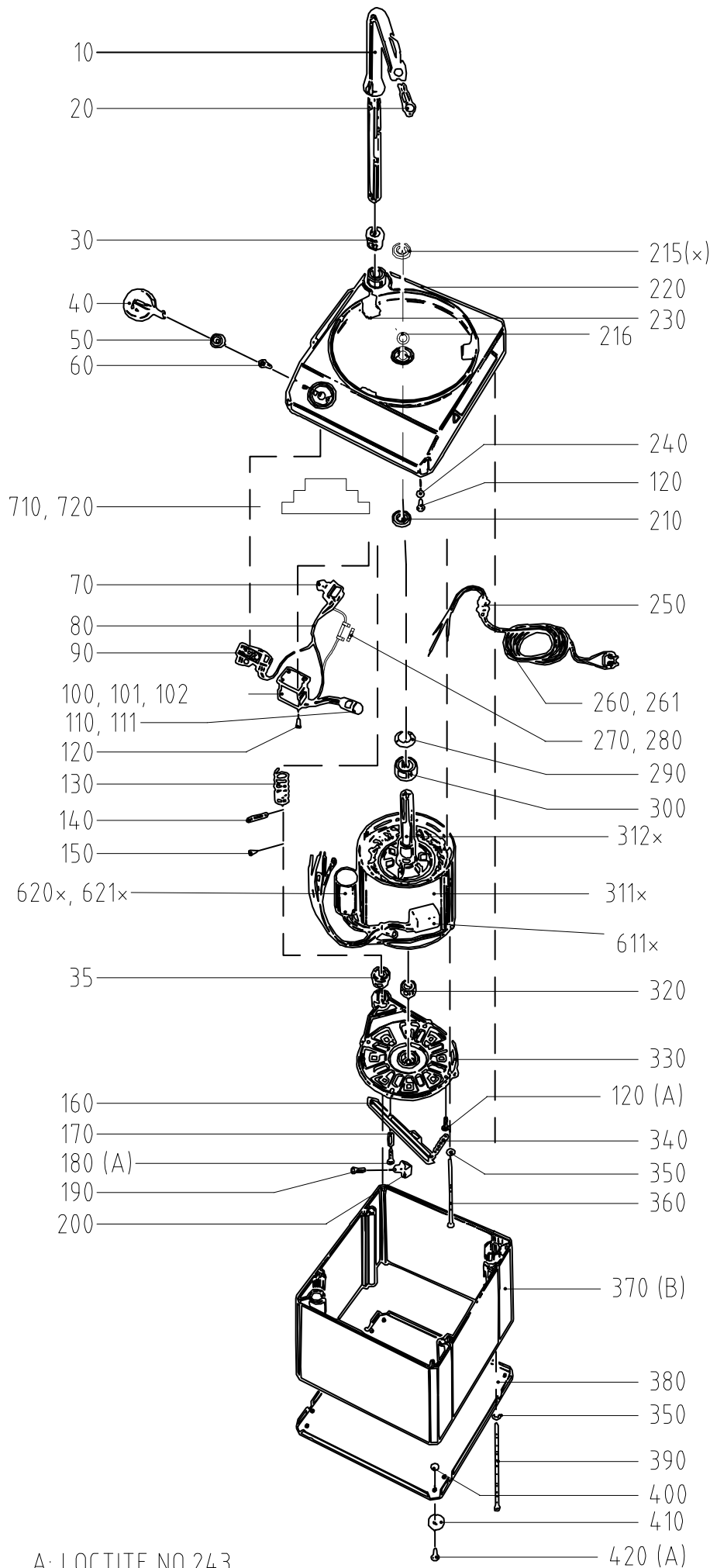


CUTTER/MIXER BOWL ATTACHMENT
SNABBHACKS-TILLSATS



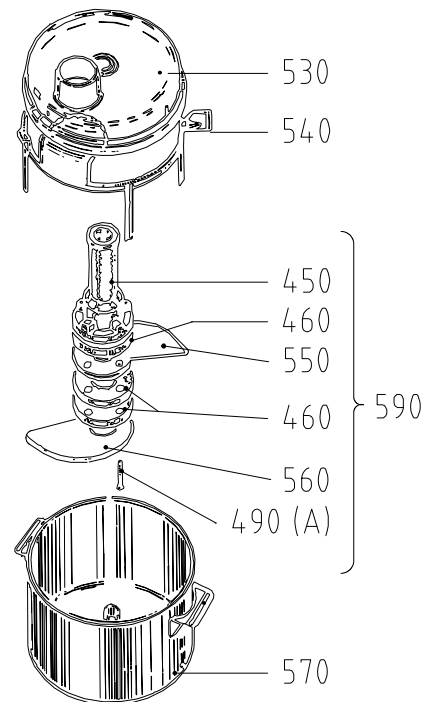
VCB-31S

No. on drawing	Item No.	Description	Beskrivning	Pcs
10	1412	Housing, top inkl knife shaft	Maskinhus överdel med knivaxel	1
20	14249	Screw MKFX-H M5X14 A2-70	Skruv MKFX-H M5X14 A2-70	4
30	10259	Rubber seal washer 18X30X7	Tätningssring 18X30X7 NBR typ a	1
70	14344	Screw M5X12	Skruv ECOSYN-FIX M5X12, A2	4
100	1411	Pulley, knife shaft compl.	Remhjul knivaxel kompl.	1
110	24293	El.-plate, AM	Elplåt, kretskort AM	1
115	24268	El-plate, UL	Elplåt, kretskort AM UL	1
120	14851	Screw MRT M4X10 A2	Skruv MRT M4X10 A2	5
130	14084	Lock washer FBB 4.1 A2	Bricka fjäder FBB 4.1 A2	1
150	15527	Bracket for PC-board AVC BS-9A	Korthållare CS-0610 (48-904-22	4
160	14753	Screw RT-PTF 5.0X20FZ	Skruv RT-PTF 5.0X20FZB TORX/FL	4
170	24343	PC-board CC 230 1 50	Kretskort CC 230 1 50	1
175	24344	PC-board CC 110v,60	Kretskort CC 110 1 60	1
210	24340	Housing, base	Maskinhus, underdel	1
220	10494	Rubber foot F-107 B	Fot, gummi M RFR bricka F-107 B	4
230	14333	Screw MRX-H M4X12 A2 70	Skruv MRX-H M4X12 A2 70	4
240	10262	Seal ring V-18S	V-ring typ s 18mm	1
250	1410	Knife shaft compl.	Knivaxel komplett	1
260	24146	Pin, knife shaft	Medbringarstift, knivaxel	1
270	10679	Belt GT 3MR 0408 18	Kuggrem rpp 405 rpp3 18	1
310	24292	Bracket, motor AM	Motorplåt, AM	1
330	15711	Motor 220-240 1 50/60	Motor 220-240 1 50/60	1
335	24179	Motor unit 110-120 1 50/60 UL	Motorenhet 110 1 50/60 UL AM	1
350	24210	Supply cord 230v CE (1)	Sladdställ 230V CE (1)	1
355	24211	Supply cord 120v US	Sladdställ 120v US	1
360	10589	Strain relief clamp 55-016-89	Dragavl.klämma 55-016-89	1
370	14336	Screw MRT-H M4X25 A2 70	Skruv MRT-H M4X25 A2 70	2
380	15422	Cable support NK-5N	Kabelklämma NK-5N	1
390	24296	Seal ring, fan	Tätningssstos, fläkt	1
450	1413	Activator pin, safety switch	Tryckstång mikrobryt. kompl	1
500	24222	Knob 0-1 w. blade spring	Vred 0-1 m.bladfjäder	1
520	24295	Rotary switch, CC-32-1	Strömställare, CC-32-1	1
530	24278	Magnetic switch, safety	Magnetbrytare, säkerhet	1
535	24332	Magnetic switch, safety AM UL	Magnetbrytare, säkerhet AM UL	1
540	24274	Magnetic switch, speed-control	Magnetbrytare, hastighet	1
545	24333	Magnetic switch, speed control	Magnetbrytare, hastighet AM UL	1
690	24133	Seal ring dia.5	Tätningssring dia.5	1
700	24151	Bowl 3L	Kärl 3L	1
710	24153	Knife head	Knivhuvud	1
720	24172	Lid	Lock	1
750	24116	Microswitch unit, CC-32/34-1	Mikrobrytarenhet, CC-32/34-1	1



(x) MASKINER SÅLDA
FÖRE 070101
MACHINES SLD BEFORE 070101

4 L BOWL FOR VCM-41/42
4 L KÄRL FÖR VCM-41/42



A: LOCTITE NO.243
B: SILICONE RTV 108 ALL THE WAY AROUND HOUSING

VCM-41

No. on drawing	Item No.	Description	Beskrivning	Pcs
10	22034	Safety arm	Säkerhetsarm	1
20	22068	Magnetic switch HM-17	Magnetbrytare HM-17	1
30	22486	Bushing, safety arm, upper	Bussning, säkerhetsarm, övre	1
35	22064	Bushing, safety arm	Bussning, säkerhetsarm	1
40	22091	Twist knob pulse 0-I	Vred puls 0-I	1
50	10384	Seal washer V-10A	Tätningring V-10A	1
60	14131	Screw MFX-H M4X16	Skruv MFX-H M4X16	2
70	15446	Safety micro switch BVMFULS TP	Microbrytare BVMFULS TP2829MSG	1
80	22085	Wire harness AWG compl.	Kabelsats AWG kompl.	1
90	15468	Selecting switch CA20, US	Omkopplare CA20 VCM41/61	1
100	15815	Contactactor BF1210A110	Kontaktor BF1210A110	1
102	15810	Contactactor 11BG0610A230	Kontaktor 11BG0610A230	2
110	15132	RC-circuit B3-110 110v	RC-krets B3-110 110v	1
111	15133	RC-circuit B3-220 220v	RC-krets B3-220 220v	1
120	14332	Screw, met, M4 X0.7 X 10MM	Skruv MRX-H M4X10 A2 70	5
130	22062	Spring, pressure	Fjäder, tryck	1
140	22493	Pin	Stoppinne	1
150	14771	Screw RXK-H ST 4,2X9,5 FZB	Skruv RXK-H ST 4,2X9,5 FZB	1
160	22071	Brake device L=165	Bromsarm L=165	1
170	22063	Sleeve	Rörhylsa	1
180	14337	Screw MRX-H M4X25 A2 70	Skruv MRX-H M4X25 A2 70	2
190	14754	Screw RX-TP 6-19X20 FZB	Skruv RX-PT 3.5X20 FZB	1
200	22046	Cam knob	Kamnock VCB, VCM	1
210	10451	Seal washer 20X30X5 TRA200200	Tätningring 20X30X5 TRA200200	1
215	10450	Seal washer BAUD2SL 25X35X7	Tätningring 25X35X7	1
216	10262	Seal ring V-18S	V-ring typ s 18mm	1
220	22216	Top cover VCM/FP 41/42	Topplatta VCM 41/42	1
230	22043	Buffer	Buffert	3
240	14084	Lock washer FBB 4.1 A2	Bricka fjäder FBB 4.1 A2	3
250	15636	Cable retainer PR 15,2 metal	Dragavlastare met. PR 15,5 D=6	1
260	15370	Supply cord 403835-HM EUR	Sladdställ EU	1
261	15208	Supply cord SJT3X14 AWG, US	Sladdställ SJT3X14 AWG (UL)	1
270	15384	Fuse T100MA	Säkring T100MA	1
280	15385	Fuse holder	Säkringshållare	1
290	10373	Pre load washer 46X38X0,4	Bricka våg 46X38X0,4	1
300	10420	Ball bearing 6005-2RS1	Kullager 6005-2RS1	1
311	*	Stator	Stator	1
312	*	Rotor	Rotor	1
320	10421	Ball bearing 6003-2RS	Kullager 6003-2RS	1
330	22220	Motor shield	Motorgavel Leroy	1
340	22457	Draw spring	Fjäder, drag	1
350	14085	Lock washer FBB 5,1 A2	FjäderBricka FBB 5.1 A2	8
360	22055	Screw, motor M5X156	Skruv, motor M5X159,5	4
370	22040	Machine housing compl.	Maskinhus kompl.	1
380	22042	Protection plate	Bottenplåt	1
390	22054	Screw, housing M5X175	Skruv, chassi M5X175	4
400	14004	Nut M6M M4 A2 70	Mutter M6M M4 A2 70	4
410	10494	Rubber foot F-107 B	Fot, gummi M RFR bricka F-107 B	4
420	14424	Screw LSKS M4X12 A2 70	Skruv LSKS M4X12 A2 70	4
450	22060	Knife head	Knivhuvud med bygel	1
460	22067	Spacer, knife	Distans, kniv	3
490	14154	Screw MFS M5X35	Skruv MFS M5X35 A2 70	4
530	22426	Lid for bowl, PSU-4L	Lock, PSU-4L	1
540	22427	Scraper for bowl PSU 4L	Avskraparring, PSU-4L	1
550	22391	Knife-upper, serrated-4L	Kniv-över, tandad-4L	1
560	22392	Knife-lower, serrated	Kniv-under, tandad & försänkt-	1

* Contact HALLDE for more information when ordering (supply your serial number).

* Kontakta HÄLLDE för mer information och beställning (Ange serienummer).

VCM-41

No. on drawing	Item No.	Description	Beskrivning	Pcs
570	22053	Bowl 4L	Kärl 4L	1
590	22390	Standard knife for bowl 4L	Standardkniv för kärl 4 L.	1
611	*	Starting relay	Startrelä	1
620	*	Start capacitor	Startkondensator	1
621	*	Run capacitor	Driftkondensator	1
710	22691	Kit time relay	Kit tidrelä vcm-41, vcb-61	1

* Contact HALLDE for more information when ordering (supply your serial number).

* Kontakta HÄLLDE för mer information och beställning (Ange serienummer).

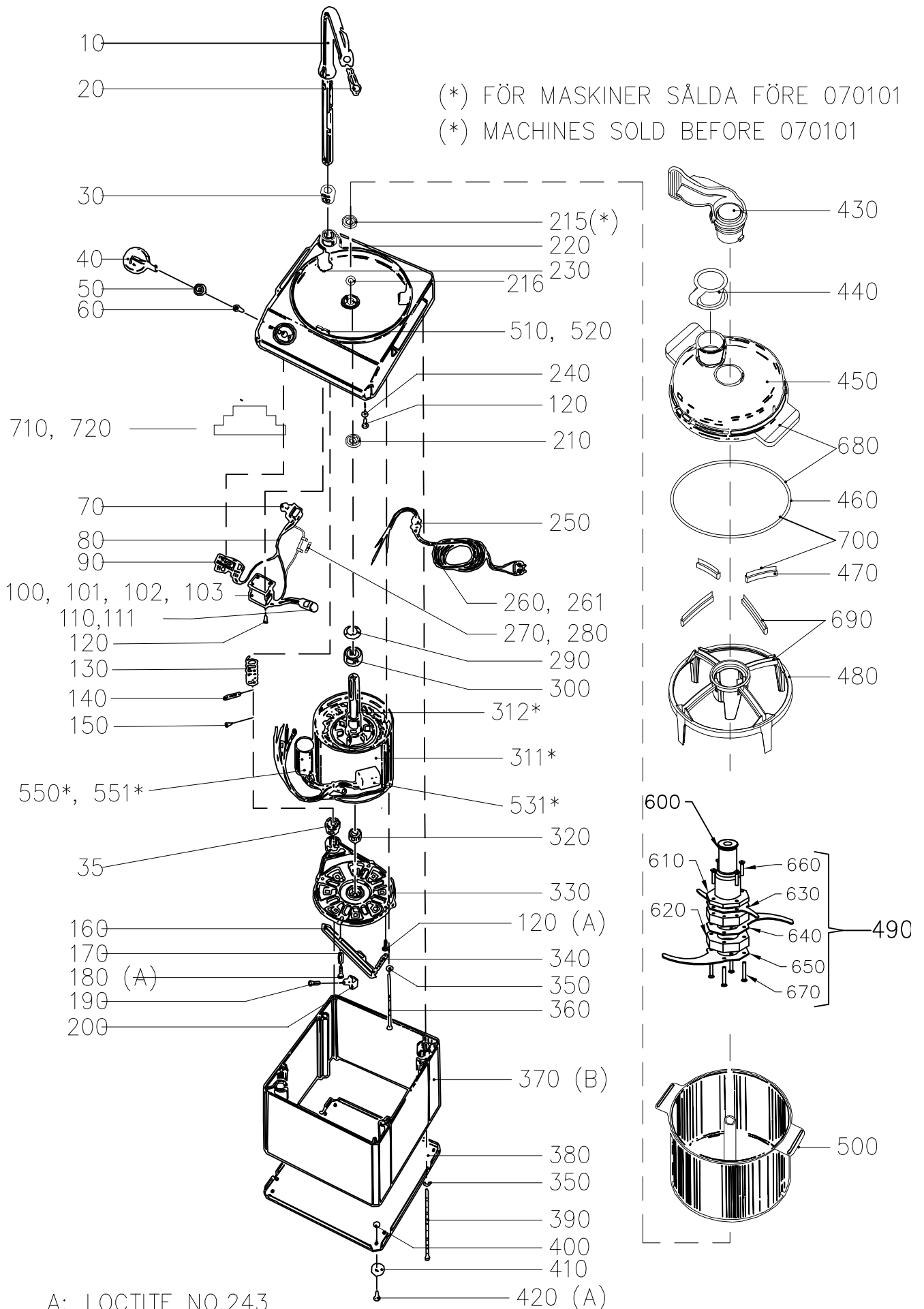
VCM-42

No. on drawing	Item No.	Description	Beskrivning	Pcs
10	22034	Safety arm	Säkerhetsarm	1
20	22068	Magnetic switch HM-17	Magnetbrytare HM-17	1
30	22486	Bushing, safety arm, upper	Bussning, säkerhetsarm, övre	1
35	22064	Bushing, safety arm	Bussning, säkerhetsarm	1
40	22092	Twist knob pulse 0-I-II	Vred pulse-0-I-II	1
50	10384	Seal washer V-10A	Tätningring V-10A	1
60	14131	Screw MFX-H M4X16	Skruv MFX-H M4X16	2
70	15446	Safety micro switch BVMFULS TP	Microbrytare BVMFULS TP2829MSG	1
80	22187	Wire harness AWG 3 phase	Kabelstam AWG 3-FAS	1
90	15467	Selecting switch CA10, US	Omkopplare CA10 VCM42	1
101	15810	Contactora 11BG0610A230	Kontaktor 11BG0610A230	2
102	15818	Contactora 11BG0610A400	Minikontaktor 11BG0610A400	2
110	15133	RC-circuit B3-220 220v	RC-krets B3-220 220v	1
120	14332	Screw, met, M4 X0.7 X 10MM	Skruv MRX-H M4X10 A2 70	5
130	22062	Spring, pressure	Fjäder, tryck	1
140	22493	Pin	Stoppinne	1
150	14771	Screw RXK-H ST 4,2X9,5 FZB	Skruv RXK-H ST 4,2X9,5 FZB	1
160	22071	Brake device L=165	Bromsarm L=165	1
170	22063	Sleeve	Rörhylsa	1
180	14337	Screw MRX-H M4X25 A2 70	Skruv MRX-H M4X25 A2 70	2
190	14754	Screw RX-TP 6-19X20 FZB	Skruv RX-PT 3.5X20 FZB	1
200	22046	Cam knob	Kamnock VCB, VCM	1
210	10451	Seal washer 20X30X5 TRA200200	Tätningring 20X30X5 TRA200200	1
215	10450	Seal washer BAUD2SL 25X35X7	Tätningring 25X35X7	1
216	10262	Seal ring V-18S	V-ring typ s 18mm	1
220	22216	Top cover VCM/FP 41/42	Toppplatta VCM 41/42	1
230	22043	Buffer	Buffert	3
240	14084	Lock washer FBB 4.1 A2	Bricka fjäder FBB 4.1 A2	3
250	15623	Cable ret. PR 18,5 metal dia12	Dragavlastare met. PR 18,5 dia	1
260	22383	Supply cord 3 phase	Kabel, anslutning 3 FAS	1
270	15384	Fuse T100MA	Säkring T100MA	1
280	15385	Fuse holder	Säkringshållare	1
290	10373	Pre load washer 46X38X0,4	Bricka våg 46X38X0,4	1
300	10420	Ball bearing 6005-2RS1	Kullager 6005-2RS1	1
311	*	Stator	Stator	1
312	*	Rotor	Rotor	1
320	10421	Ball bearing 6003-2RS	Kullager 6003-2RS	1
330	22220	Motor shield	Motorgavel Leroy	1
340	22457	Draw spring	Fjäder, drag	1
350	14085	Lock washer FBB 5,1 A2	FjäderBricka FBB 5.1 A2	8
360	22055	Screw, motor M5X156	Skruv, motor M5X159,5	4

* Contact HALLDE for more information when ordering (supply your serial number).

VCM-42

No. on drawing	Item No.	Description	Beskrivning	Pcs
370	22040	Machine housing compl.	Maskinhus kompl.	1
380	22042	Protection plate	Bottenplåt	1
390	22054	Screw, housing M5X175	Skruv, chassi M5X175	4
400	14004	Nut M6M M4 A2 70	Mutter M6M M4 A2 70	4
410	10494	Rubber foot F-107 B	Fot,gummi M RFR bricka F-107 B	4
420	14424	Screw LSKS M4X12 A2 70	Skruv LSKS M4X12 A2 70	4
450	22060	Knife head	Knivhuvud med bygel	1
460	22067	Spacer, knife	Distans, kniv	3
490	14154	Screw MFS M5X35	Skruv MFS M5X35 A2 70	4
530	22426	Lid for bowl, PSU-4L	Lock, PSU-4L	1
540	22427	Scraper for bowl PSU 4L	Avskraparring, PSU-4L	1
550	22391	Knife-upper, serrated-4L	Kniv-över,tandad-4L	1
560	22392	Knife-lower, serrated	Kniv-under,tandad & försänt-	1
570	22053	Bowl 4L	Kärl 4L	1
590	22390	Standard knife for bowl 4L	Standardkniv för kärl 4 L.	1
720	22692	Kit time relay	Kit tidrelä vcm-42, vcb-62	1



A: LOCTITE NO.243

B: SILICONE RTV 108 ALL THE WAY AROUND HOUSING

VCB-61

No. on drawing	Item No.	Description	Beskrivning	Pcs
10	22133	Safety arm	Säkerhetsarm	1
20	22068	Magnetic switch HM-17	Magnetbrytare HM-17	1
30	22486	Bushing, safety arm, upper	Bussning, säkerhetsarm, övre	1
35	22064	Bushing, safety arm	Bussning, säkerhetsarm	1
40	22091	Twist knob pulse 0-I	Vred puls 0-I	1
50	10384	Seal washer V-10A	Tätningarring V-10A	1
60	14131	Screw MFX-H M4X16	Skruv MFX-H M4X16	2
70	15446	Safety micro switch BVMFULS TP	Microbrytare BVMFULS TP2829MSG	1
80	22085	Wire harness AWG compl.	Kabelsats AWG kompl.	1
90	15468	Selecting switch CA20, US	Omkopplare CA20 VCM41/61	1
100	15822	Contactactor BF2510A110	kontaktör BF2510A110	1
101	15820	Contactactor BF0910A230	Kontaktör BF0910A230	1
110	15132	RC-circuit B3-110 110v	RC-krets B3-110 110v	1
111	15133	RC-circuit B3-220 220v	RC-krets B3-220 220v	1
120	14332	Screw, met, M4 X0.7 X 10MM	Skruv MRX-H M4X10 A2 70	5
130	22456	Pressure spring	Fjäder, tryck	1
140	22493	Pin	Stoppinne	1
150	14771	Screw RXK-H ST 4,2X9,5 FZB	Skruv RXK-H ST 4,2X9,5 FZB	1
160	22150	Brake device	Bromsarm	1
170	22063	Sleeve	Rörhylsa	2
180	14337	Screw MRX-H M4X25 A2 70	Skruv MRX-H M4X25 A2 70	1
190	14754	Screw RX-TP 6-19X20 FZB	Skruv RX-PT 3.5X20 FZB	1
200	22046	Cam knob	Kamnock VCB, VCM	1
210	10451	Seal washer 20X30X5 TRA200200	Tätningarring 20X30X5 TRA200200	1
215	10450	Seal washer BAUD2SL 25X35X7	Tätningarring 25X35X7	1
216	10262	Seal ring V-18S	V-ring typ s 18mm	1
220	22231	Top cover compl.	Topplatta kompl.	1
230	22488	Buffer	Buffert	3
240	14084	Lock washer FBB 4.1 A2	Bricka fjäder FBB 4.1 A2	3
250	15381	Cable ret PR 22.5 dia 15	Dragavlastare PR 22.5 dia 15	1
260	15495	Supply cord 437U/2,5 MS RDO	H05RN-F 3G 1.5 mm2	1
261	22203	Supply cord AWG 12 1 PHA 110 v	Anslutningskabel AWG12 1 FAS	1
270	15384	Fuse T100MA	Säkring T100MA	1
280	15385	Fuse holder	Säkringshållare	1
290	10373	Pre load washer 46X38X0,4	Bricka våg 46X38X0,4	1
300	10420	Ball bearing 6005-2RS1	Kullager 6005-2RS1	1
311	*	Stator	Stator	1
312	*	Rotor	Rotor	1
320	10255	Ball bearing 6203-2RS	Kullager 6203-2RS	1
330	22215	Motor shield Leroy H50	Motorgavel Leroy H50	1
340	22457	Draw spring	Fjäder, drag	1
350	14085	Lock washer FBB 5,1 A2	FjäderBricka FBB 5.1 A2	8
360	22143	Screw, motor M5X192	Skruv, motor M5X195,5	4
370	22136	Machine housing compl.	Maskinhus kompl.	1
380	22138	Protection plate	Bottenplåt	1
390	22054	Screw, housing M5X175	Skruv, chassi M5X175	4
400	14004	Nut M6M M4 A2 70	Mutter M6M M4 A2 70	4
410	10494	Rubber foot F-107 B	Fot, gummi M RFR bricka F-107 B	4
420	14424	Screw LSKS M4X12 A2 70	Skruv LSKS M4X12 A2 70	4
430	22472	Scraper handle	Avskraparm	1
440	22446	Plug, rubber	Propp, gummi	1
450	22435	Lid	Lock	1
460	22438	Seal, lid	Tätning, lock	1
470	22439	Scraper blade	Avskraparblad	4
480	22436	Scraper	Avskrapare	1
490	22502	Cutting knife aluminium	Knivhuvud i aluminium med kniv	1

* Contact HALLDE for more information when ordering (supply your serial number).

* Kontakta HÄLLDE för mer information och beställning (Ange serienummer).

VCB-61

No. on drawing	Item No.	Description	Beskrivning	Pcs
500	22451	Bowl 6L	Kärl 6L	1
510	22487	Rotary stop	Vridstopp	1
520	14604	Screw MFT-TT A2 M3X16	Skruv MFT-TT A2 M3X16	2
531	*	Starting relay	Startrelä	1
550	*	Capacitor	Startkondensator	1
551	*	Run capacitor	Driftkondensator	1
600	22504	Knife head	Knivhållare	1
610	22505	Knife support	Fästring	1
620	22506	Spacer	Distans	1
630	22507	Knife, turning	Kniv, vänd	1
640	22508	Knife, serrated, middle	Kniv, tandad, mellan	1
650	22509	Knife, serrated, low	Kniv, tandad, undre	1
660	14152	Screw MFS M5X25	Skruv MFS M5X25 A2 70	4
670	14154	Screw MFS M5X35	Skruv MFS M5X35 A2 70	4
680	22494	Lid incl. seal ring	Lock inkl. tätningring	1
690	22495	Scraper incl. wiper blades	Avskrapare inkl. torkarblad	1
700	22496	Wiper blades and seal ring	Torkarblad och tätningring	1
710	22691	Kit time relay	Kit tidrelä vcm-41, vcb-61	1

* Contact HALLDE for more information when ordering (supply your serial number).

* Kontakta HÅLLDE för mer information och beställning (Ange serienummer).

VCB-62

No. on drawing	Item No.	Description	Beskrivning	Pcs
10	22133	Safety arm	Säkerhetsarm	1
20	22068	Magnetic switch HM-17	Magnetbrytare HM-17	1
30	22486	Bushing, safety arm, upper	Bussning, säkerhetsarm, övre	1
35	22064	Bushing, safety arm	Bussning, säkerhetsarm	1
40	22092	Twist knob pulse 0-I-II	Vred pulse-0-I-II	1
50	10384	Seal washer V-10A	Tätningring V-10A	1
60	14131	Screw MFX-H M4X16	Skruv MFX-H M4X16	2
70	15446	Safety micro switch BVMFULS TP	Microbrytare BVMFULS TP2829MSG	1
80	22187	Wire harness AWG 3 phase	Kabelstam AWG 3-FAS	1
90	15467	Selecting switch CA10, US	Omkopplare CA10 VCM42	1
101	15810	Contactora 11BG0610A230	Kontaktor 11BG0610A230	1
102	15818	Contactora 11BG0610A400	Minikontaktor 11BG0610A400	1
110	15133	RC-circuit B3-220 220v	RC-krets B3-220 220v	1
120	14332	Screw,met, M4 X0.7 X 10MM	Skruv MRX-H M4X10 A2 70	5
130	22456	Pressure spring	Fjäder, tryck	1
140	22493	Pin	Stoppinne	1
150	14771	Screw RXK-H ST 4,2X9,5 FZB	Skruv RXK-H ST 4,2X9,5 FZB	1
160	22150	Brake device	Bromsarm	1
170	22063	Sleeve	Rörhylsa	2
180	14337	Screw MRX-H M4X25 A2 70	Skruv MRX-H M4X25 A2 70	2
190	14754	Screw RX-TP 6-19X20 FZB	Skruv RX-PT 3.5X20 FZB	1
200	22046	Cam knob	Kamnock VCB, VCM	1
210	10451	Seal washer 20X30X5 TRA200200	Tätningring 20X30X5 TRA200200	1
215	10450	Seal washer BAUD2SL 25X35X7	Tätningring 25X35X7	1
216	10262	Seal ring V-18S	V-ring typ s 18mm	1
220	22231	Top cover compl.	Topplatta kompl.	1
230	22488	Buffer	Buffert	3
240	14084	Lock washer FBB 4.1 A2	Bricka fjäder FBB 4.1 A2	3
250	15381	Cable ret PR 22.5 dia 15	Dragavlastare PR 22.5 dia 15	1
260	22161	Supply cord 3 phase	Anslutningskabel 3 fas	1

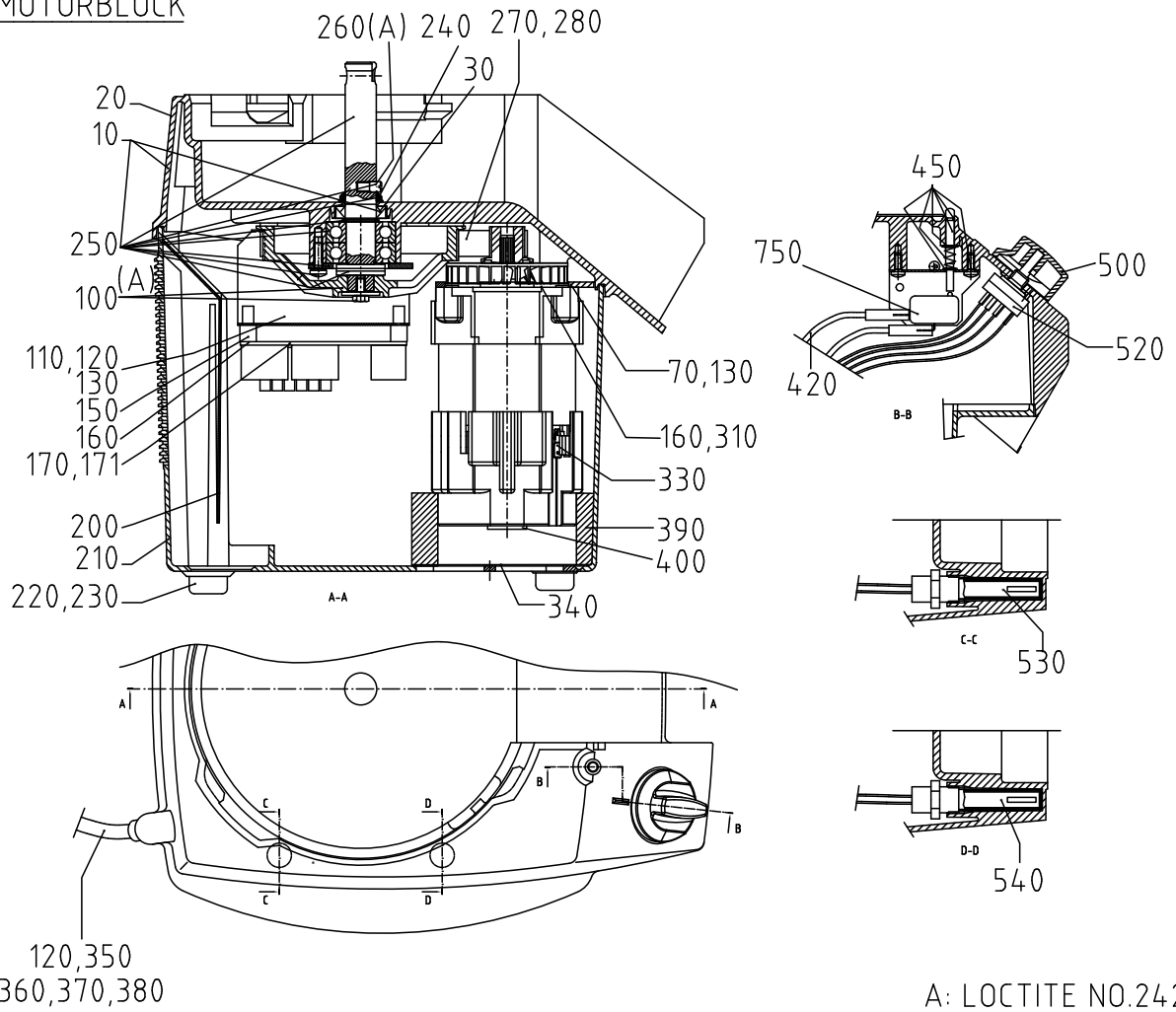
VCB-62

No. on drawing	Item No.	Description	Beskrivning	Pcs
270	15384	Fuse T100MA	Säkring T100MA	1
280	15385	Fuse holder	Säkringshållare	1
290	10373	Pre load washer 46X38X0,4	Bricka våg 46X38X0,4	1
300	10420	Ball bearing 6005-2RS1	Kullager 6005-2RS1	1
311	*	Stator	Stator	1
312	*	Rotor	Rotor	1
320	10255	Ball bearing 6203-2RS	Kullager 6203-2RS	1
330	22215	Motor shield Leroy H50	Motorgavel Leroy H50	1
340	22457	Draw spring	Fjäder, drag	1
350	14085	Lock washer FBB 5,1 A2	FjäderBricka FBB 5.1 A2	8
360	22143	Screw, motor M5X192	Skruv, motor M5X195,5	4
370	22136	Machine housing compl.	Maskinhus kompl.	1
380	22138	Protection plate	Bottenplåt	1
390	22142	Screw, housing M5X197	Skruv, chassi M5X201	4
400	14004	Nut M6M M4 A2 70	Mutter M6M M4 A2 70	4
410	10494	Rubber foot F-107 B	Fot,gummi M RFR bricka F-107 B	4
420	14424	Screw LSKS M4X12 A2 70	Skruv LSKS M4X12 A2 70	4
430	22472	Scraper handle	Avskraparm	1
440	22446	Plug, rubber	Propp, gummi	1
450	22435	Lid	Lock	1
460	22438	Seal, lid	Tätning, lock	1
470	22439	Scraper blade	Avskraparblad	4
480	22436	Scraper	Avskrapare	1
490	22502	Cutting knife aluminium	Knivhuvud i aluminium med kniv	1
500	22451	Bowl 6L	Kärl 6L	1
510	22487	Rotary stop	Vridstopp	1
520	14604	Screw MFT-TT A2 M3X16	Skruv MFT-TT A2 M3X16	2
600	22504	Knife head	Knivhållare	1
610	22505	Knife support	Fästring	1
620	22506	Spacer	Distans	1
630	22507	Knife, turning	Kniv, vänd	1
640	22508	Knife, serrated, middle	Kniv, tandad, mellan	1
650	22509	Knife, serrated, low	Kniv, tandad, undre	1
660	14152	Screw MFS M5X25	Skruv MFS M5X25 A2 70	4
670	14154	Screw MFS M5X35	Skruv MFS M5X35 A2 70	4
680	22494	Lid incl. seal ring	Lock inkl. tätningring	1
690	22495	Scraper incl. wiper blades	Avskrapare inkl. torkarblad	1
700	22496	Wiper blades and seal ring	Torkarblad och tätningring	1
720	22692	Kit time relay	Kit tidrelä vcm-42, vcb-62	1

* Contact HALLDE for more information when ordering (supply your serial number).

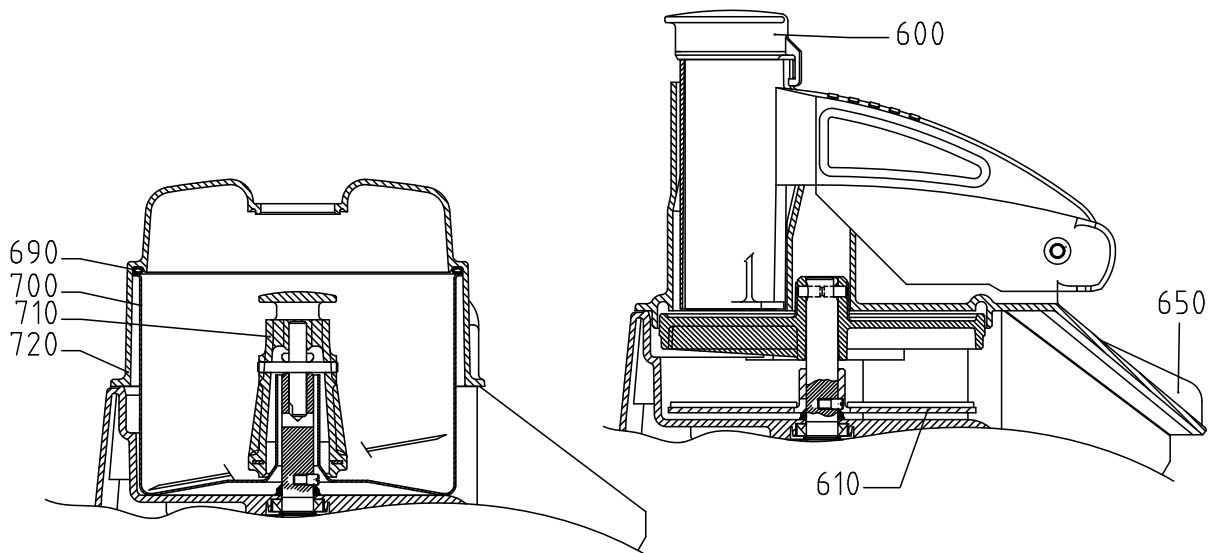
* Kontakta HÄLLDE för mer information och beställning (Ange serienummer).

MOTOR BASE
MOTORBLOCK



CUTTER/MIXER BOWL ATTACHMENT
SNABBHACKS-TILLSATS

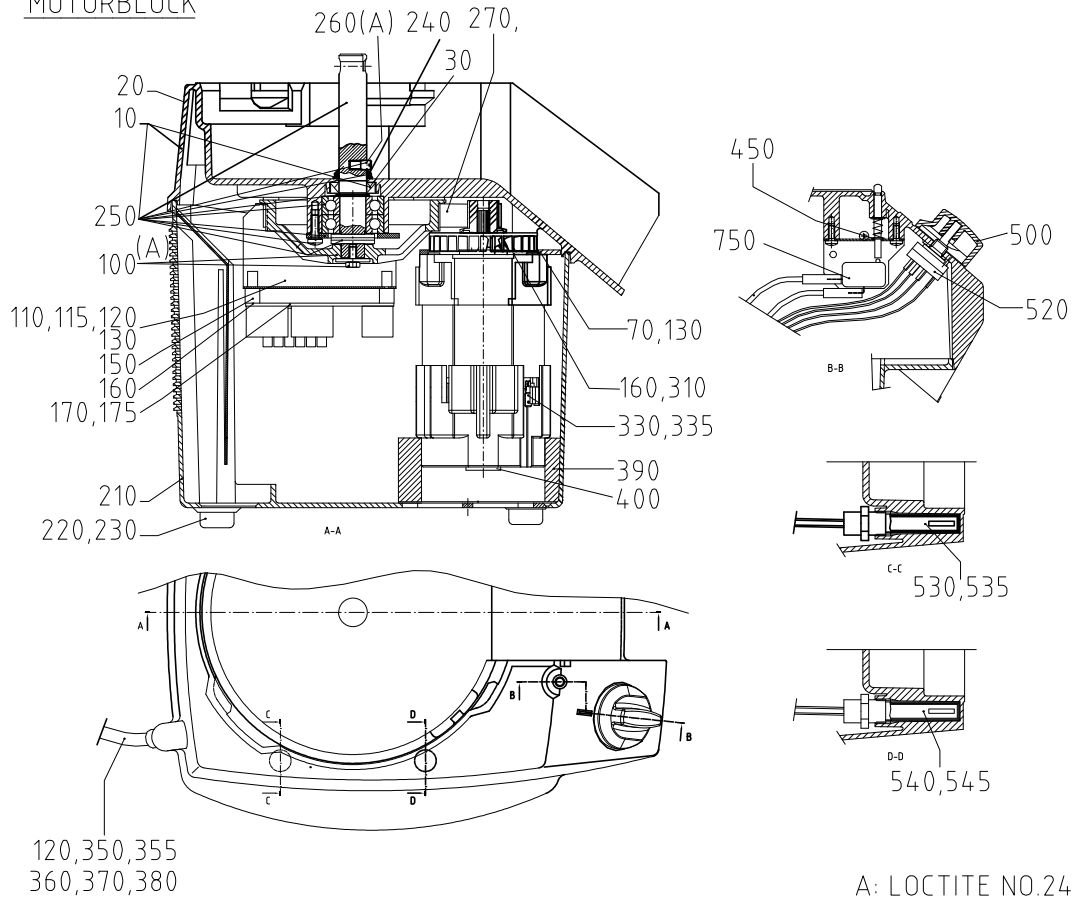
VEGETABLE PREPARATION ATTACHMENT
GRÖNSAKSSKARAR-TILLSATS



CC-32-1

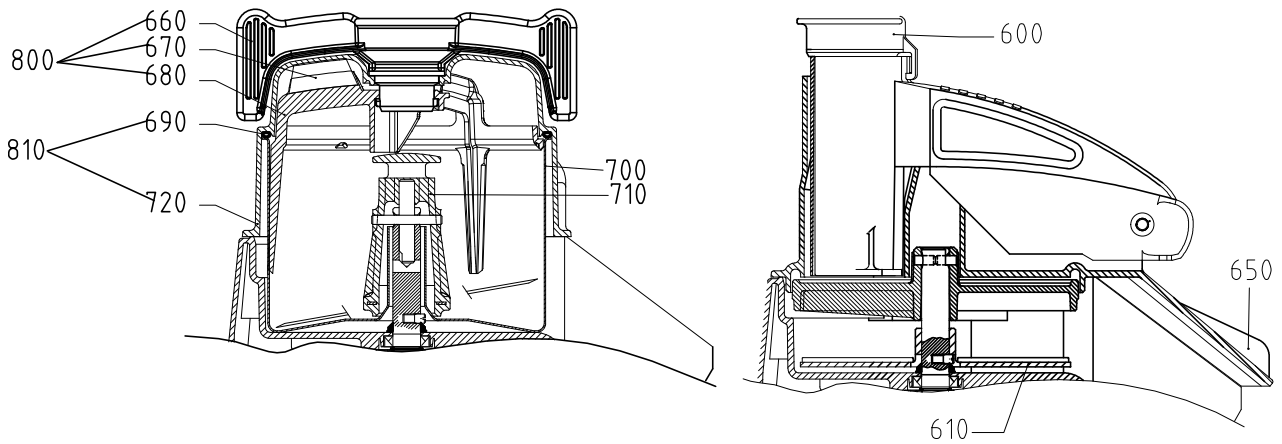
No. on drawing	Item No.	Description	Beskrivning	Pcs
10	1412	Housing, top inkl knife shaft	Maskinhus överdel med knivaxel	1
20	14249	Screw MKFX-H M5X14 A2-70	Skruv MKFX-H M5X14 A2-70	4
30	10259	Rubber seal washer 18X30X7	Tätningring 18X30X7 NBR typ a	1
70	14344	Screw M5X12	Skruv ECOSYN-FIX M5X12, A2	4
100	1411	Pulley, knife shaft compl.	Remhjul knivaxel kompl.	1
110	24293	El.-plate, AM	Elplåt, kretskort AM	1
120	14851	Screw MRT M4X10 A2	Skruv MRT M4X10 A2	5
130	14084	Lock washer FBB 4.1 A2	Bricka fjäder FBB 4.1 A2	1
150	15527	Bracket for PC-board AVC BS-9A	Korthållare CS-0610 (48-904-22	4
160	14753	Screw RT-PTF 5.0X20FZ	Skruv RT-PTF 5.0X20FZB TORX/FL	4
170	24343	PC-board CC 230 1 50	Kretskort CC 230 1 50	1
171	24344	PC-board CC 110v,60	Kretskort CC 110 1 60	1
200	24176	Protection plate for lover	Stänklåt	1
210	24340	Housing, base	Maskinhus, underdel	1
220	10494	Rubber foot F-107 B	Fot, gummi M RFR bricka F-107 B	4
230	14333	Screw MRX-H M4X12 A2 70	Skruv MRX-H M4X12 A2 70	4
240	10262	Seal ring V-18S	V-ring typ s 18mm	1
250	1410	Knife shaft compl.	Knivaxel komplett	1
260	24146	Pin, knife shaft	Medbringarstift, knivaxel	1
270	10679	Belt GT 3MR 0408 18	Kuggrem rpp 405 rpp3 18	1
280	24291	Pulley wheel	Brytrulle, kompl.	1
310	24292	Bracket, motor AM	Motorplåt, AM	1
330	15711	Motor 220-240 1 50/60	Motor 220-240 1 50/60	1
340	24300	Net	Nät	1
350	24210	Supply cord 230v CE (1)	Sladdställ 230V CE (1)	1
360	10589	Strain relief clamp 55-016-89	Dragavl.klämma 55-016-89	1
370	14336	Screw MRT-H M4X25 A2 70	Skruv MRT-H M4X25 A2 70	2
380	15422	Cable support NK-5N	Kabelklämma NK-5N	1
390	24296	Seal ring, fan	Tätningstos, fläkt	1
420	24299	Cable, microswitch	Kabel, mikrobrytare	1
450	1413	Activator pin, safety switch	Tryckstång mikrobryt. kompl	1
500	24222	Knob 0-1 w. blade spring	Vred 0-1 m.bladfjäder	1
520	24295	Rotary switch, CC-32-1	Strömställare, CC-32-1	1
530	24278	Magnetic switch,safety	Magnetbrytare,säkerhet	1
540	24274	Magnetic switch,speed-control	Magnetbrytare,hastighet	1
600	24157	Pestle	Stöt	1
610	83032	Ejector plate	Utmatarskiva	1
650	24634	Feed head	Matarinsats	1
690	24133	Seal ring dia.5	Tätningring dia.5	1
700	24151	Bowl 3L	Kärl 3L	1
710	24153	Knife head	Knivhuvud	1
720	24172	Lid	Lock	1
750	24116	Microswitch unit, CC-32/34-1	Mikrobrytarenhet, CC-32/34-1	1

MOTOR BASE
MOTORBLOCK



CUTTER/MIXER BOWL ATTACHMENT
SNABBHACKS-TILLSATS

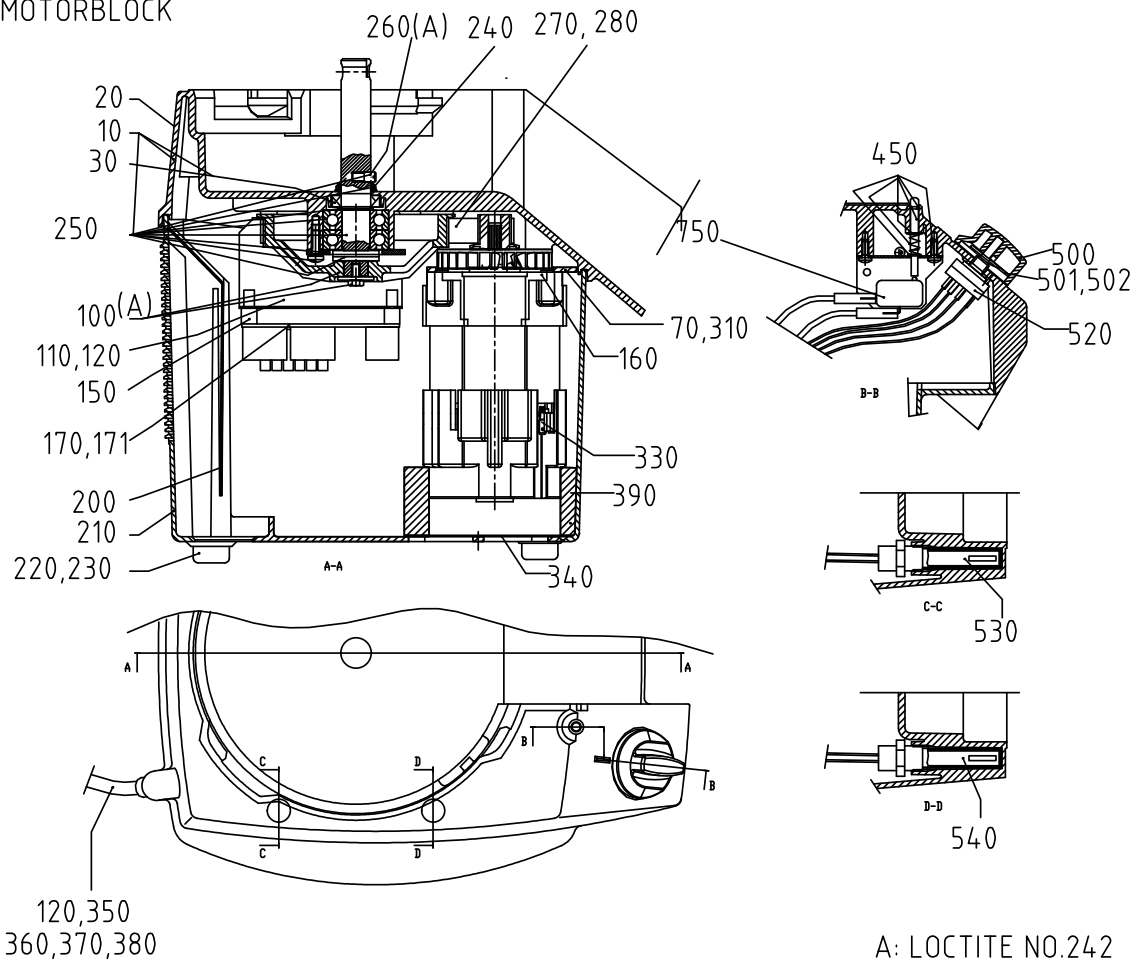
VEGETABLE PREPARATION ATTACHMENT
GRÖNSAKSSKÄRAR-TILLSATS



CC-32S

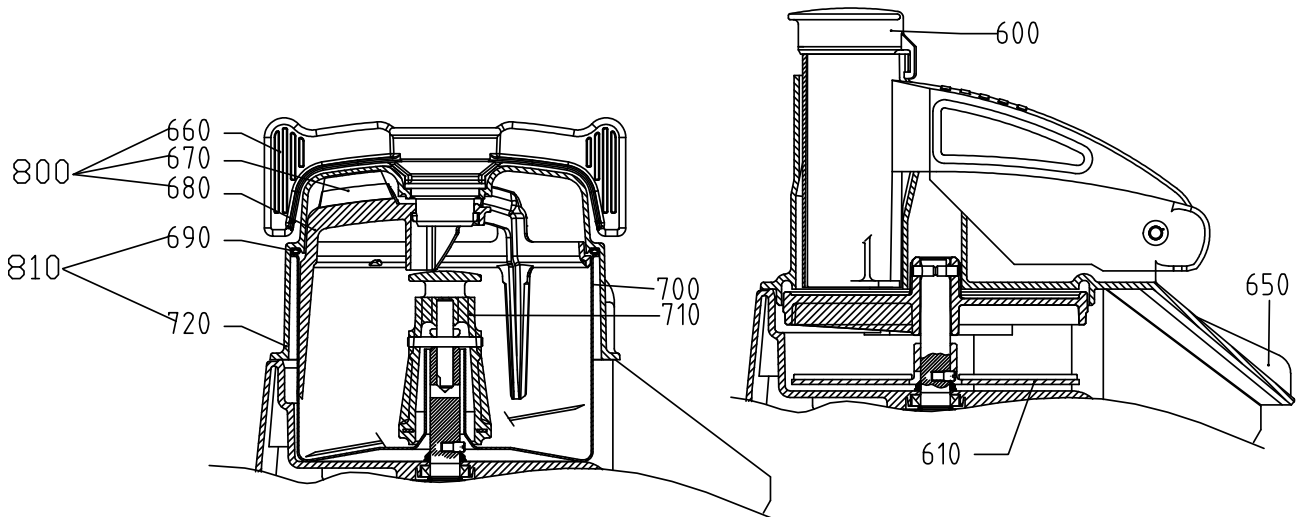
No. on drawing	Item No.	Description	Beskrivning	Pcs
10	1414	Housing, top inkl knife shaft	Maskinhus överdel med knivaxel	1
20	14249	Screw MKFX-H M5X14 A2-70	Skruv MKFX-H M5X14 A2-70	4
30	10259	Rubber seal washer 18X30X7	Tätningring 18X30X7 NBR typ a	1
70	14344	Screw M5X12	Skruv ECOSYN-FIX M5X12, A2	4
100	1411	Pulley, knife shaft compl.	Remhjul knivaxel kompl.	1
110	24293	El.-plate, AM	Elplåt, kretskort AM	1
115	24268	El.-plate, UL	Elplåt, kretskort AM UL	1
120	14851	Screw MRT M4X10 A2	Skruv MRT M4X10 A2	5
130	14084	Lock washer FBB 4.1 A2	Bricka fjäder FBB 4.1 A2	1
150	15527	Bracket for PC-board AVC BS-9A	Korthållare CS-0610 (48-904-22	4
160	14753	Screw RT-PTF 5.0X20FZ	Skruv RT-PTF 5.0X20FZB TORX/FL	4
170	24343	PC-board CC 230 1 50	Kretskort CC 230 1 50	1
175	24344	PC-board CC 110v,60	Kretskort CC 110 1 60	1
210	24340	Housing, base	Maskinhus, underdel	1
220	10494	Rubber foot F-107 B	Fot,gummi M RFR bricka F-107 B	4
230	14333	Screw MRX-H M4X12 A2 70	Skruv MRX-H M4X12 A2 70	4
240	10262	Seal ring V-18S	V-ring typ s 18mm	1
250	1410	Knife shaft compl.	Knivaxel komplett	1
260	24146	Pin, knife shaft	Medbringarstift, knivaxel	1
270	10679	Belt GT 3MR 0408 18	Kuggrem rpp 405 rpp3 18	1
310	24292	Bracket, motor AM	Motorplåt, AM	1
330	15711	Motor 220-240 1 50/60	Motor 220-240 1 50/60	1
335	24179	Motor unit 110-120 1 50/60 UL	Motorenhet 110 1 50/60 UL AM	1
350	24210	Supply cord 230v CE (1)	Sladdställ 230V CE (1)	1
355	24211	Supply cord 120v US	Sladdställ 120v US	1
360	10589	Strain relief clamp 55-016-89	Dragavl.klämma 55-016-89	1
370	14336	Screw MRT-H M4X25 A2 70	Skruv MRT-H M4X25 A2 70	2
380	15422	Cable support NK-5N	Kabelklämma NK-5N	1
390	24296	Seal ring, fan	Tätningstos, fläkt	1
450	1413	Activator pin, safety switch	Tryckstång mikrobryt. kompl	1
500	24222	Knob 0-1 w. blade spring	Vred 0-1 m.bladfjäder	1
520	24295	Rotary switch, CC-32-1	Strömställare, CC-32-1	1
530	24278	Magnetic switch,safety	Magnetbrytare,säkerhet	1
535	24332	Magnetic switch, safety AM UL	Magnetbrytare, säkerhet AM UL	1
540	24274	Magnetic switch,speed-control	Magnetbrytare,hastighet	1
545	24333	Magnetic switch, speed control	Magnetbrytare, hastighet AM UL	1
600	24157	Pestle	Stöt	1
610	83032	Ejector plate	Utmatarskiva	1
650	24634	Feed head	Matarinsats	1
660	24134	Scraper handle	Avskrapare, handtag	1
670	24132	Scraper blade	Torkarblad, avskrapare	3
680	24135	Scraper ring	Avskrapare, ring	1
690	24133	Seal ring dia.5	Tätningring dia.5	1
700	24151	Bowl 3L	Kärl 3L	1
710	24153	Knife head	Knivhuvud	1
720	24172	Lid	Lock	1
750	24116	Microswitch unit, CC-32/34-1	Mikrobrytarenhet, CC-32/34-1	1
800	24244	Scraper assy	Avskrapare	1
810	24245	Lid incl. seal ring	Lock för kärl inkl. tätningstri	1

MOTOR BASE
MOTORBLOCK



CUTTER/MIXER BOWL ATTACHMENT
SNABBHACKS-TILLSATS

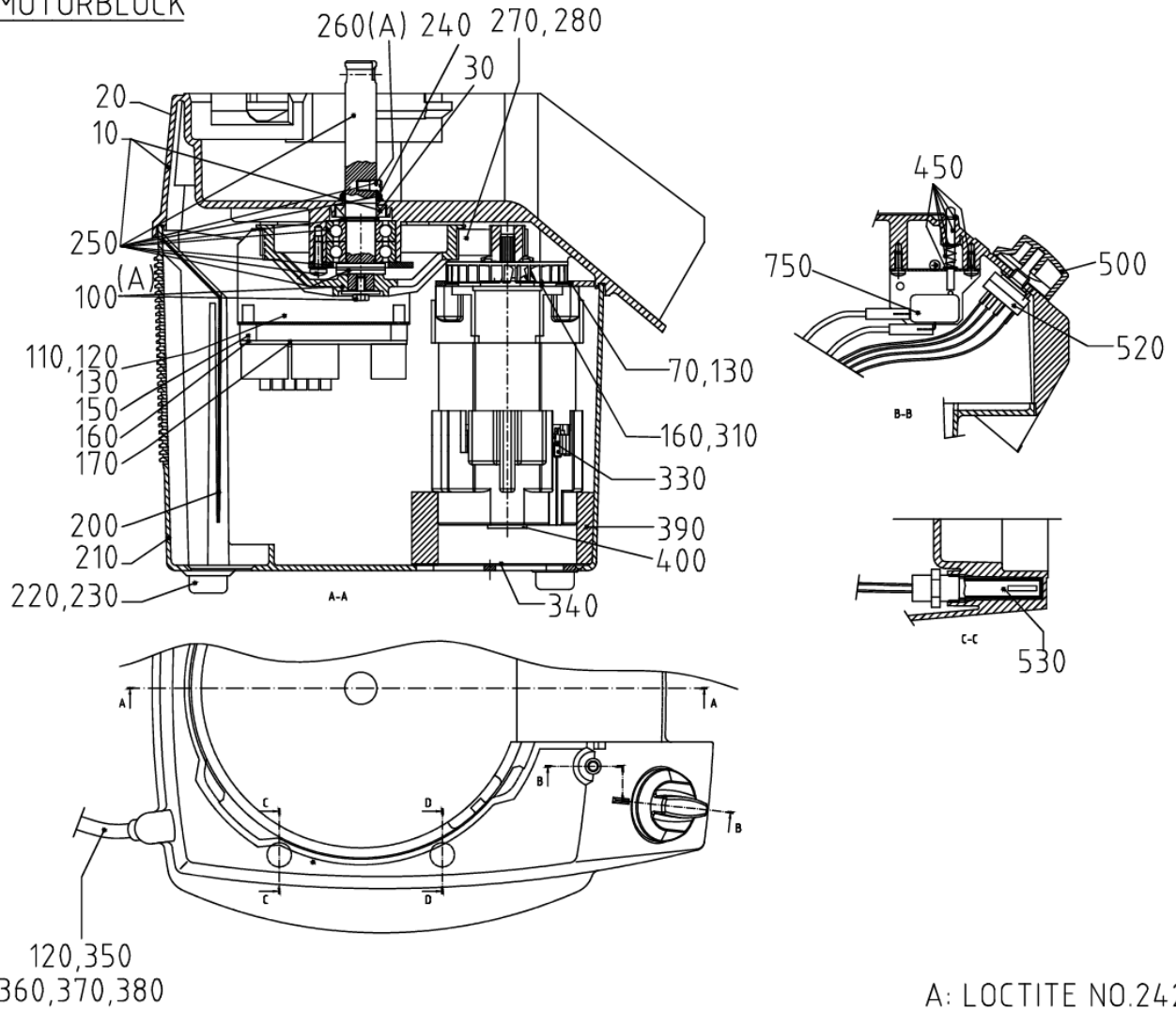
VEGETABLE PREPARATION ATTACHMENT
GRÖNSAKSSKÄRAR-TILLSATS



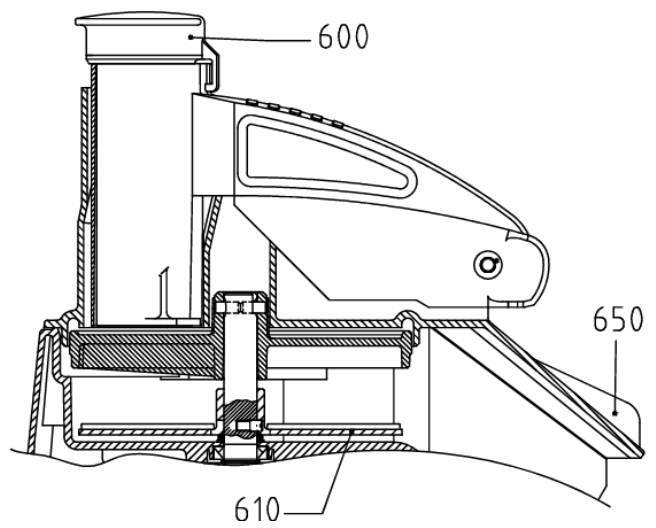
CC-34-1

No. on drawing	Item No.	Description	Beskrivning	Pcs
10	1412	Housing, top inkl knife shaft	Maskinhus överdel med knivaxel	1
20	14249	Screw MKFX-H M5X14 A2-70	Skruv MKFX-H M5X14 A2-70	4
30	10259	Rubber seal washer 18X30X7	Tätningring 18X30X7 NBR typ a	1
70	14344	Screw M5X12	Skruv ECOSYN-FIX M5X12, A2	4
100	1411	Pulley, knife shaft compl.	Remhjul knivaxel kompl.	1
110	24293	El.-plate, AM	Elplåt, kretskort AM	1
120	14851	Screw MRT M4X10 A2	Skruv MRT M4X10 A2	5
150	15527	Bracket for PC-board AVC BS-9A	Korthållare CS-0610 (48-904-22	4
160	14753	Screw RT-PTF 5.0X20FZ	Skruv RT-PTF 5.0X20FZB TORX/FL	4
170	24343	PC-board CC 230 1 50	Kretskort CC 230 1 50	1
171	24344	PC-board CC 110v,60	Kretskort CC 110 1 60	1
200	24176	Protection plate for lover	Stänklåt	1
210	24340	Housing, base	Maskinhus, underdel	1
220	10494	Rubber foot F-107 B	Fot, gummi M RFR bricka F-107 B	4
230	14333	Screw MRX-H M4X12 A2 70	Skruv MRX-H M4X12 A2 70	4
240	10262	Seal ring V-18S	V-ring typ s 18mm	1
250	1410	Knife shaft compl.	Knivaxel komplett	1
260	24146	Pin, knife shaft	Medbringarstift, knivaxel	1
270	10679	Belt GT 3MR 0408 18	Kuggrem rpp 405 rpp3 18	1
280	24291	Pulley wheel	Brytrulle, kompl.	1
310	24292	Bracket, motor AM	Motorplåt, AM	1
330	15711	Motor 220-240 1 50/60	Motor 220-240 1 50/60	1
340	24300	Net	Nät	1
350	24210	Supply cord 230v CE (1)	Sladdställ 230V CE (1)	1
360	10589	Strain relief clamp 55-016-89	Dragavl.klämma 55-016-89	1
370	14336	Screw MRT-H M4X25 A2 70	Skruv MRT-H M4X25 A2 70	2
380	15422	Cable support NK-5N	Kabelklämma NK-5N	1
390	24296	Seal ring, fan	Tätningstos, fläkt	1
450	1413	Activator pin, safety switch	Tryckstång mikrobryt. kompl	1
500	24152	Knob, speed cont with spring	Vred, hastighet m. bladfjäder	1
501	24388	Turn stop	Vridstopp	1
502	14502	Screw MC6S M4X8 A2 70	Skruv MC6S M4X8H A4 70	1
520	24294	Rotary switch, CC-34-1	Strömställare, CC-34-1 AM UL	1
530	24278	Magnetic switch, safety	Magnetbrytare, säkerhet	1
540	24274	Magnetic switch, speed-control	Magnetbrytare, hastighet	1
600	24157	Pestle	Stöt	1
610	83032	Ejector plate	Utmatarskiva	1
650	24634	Feed head	Matarinsats	1
660	24134	Scraper handle	Avskrapare, handtag	1
670	24132	Scraper blade	Torkarblad, avskrapare	3
680	24135	Scraper ring	Avskrapare, ring	1
690	24133	Seal ring dia.5	Tätningring dia.5	1
700	24151	Bowl 3L	Kärl 3L	1
710	24153	Knife head	Knivhuvud	1
720	24172	Lid	Lock	1
750	24116	Microswitch unit, CC-32/34-1	Mikrobrytarehet, CC-32/34-1	1
800	24244	Scraper assy	Avskrapare	1
810	24245	Lid incl. seal ring	Lock för kärl inkl. tätningri	1

MOTOR BASE
MOTORBLOCK



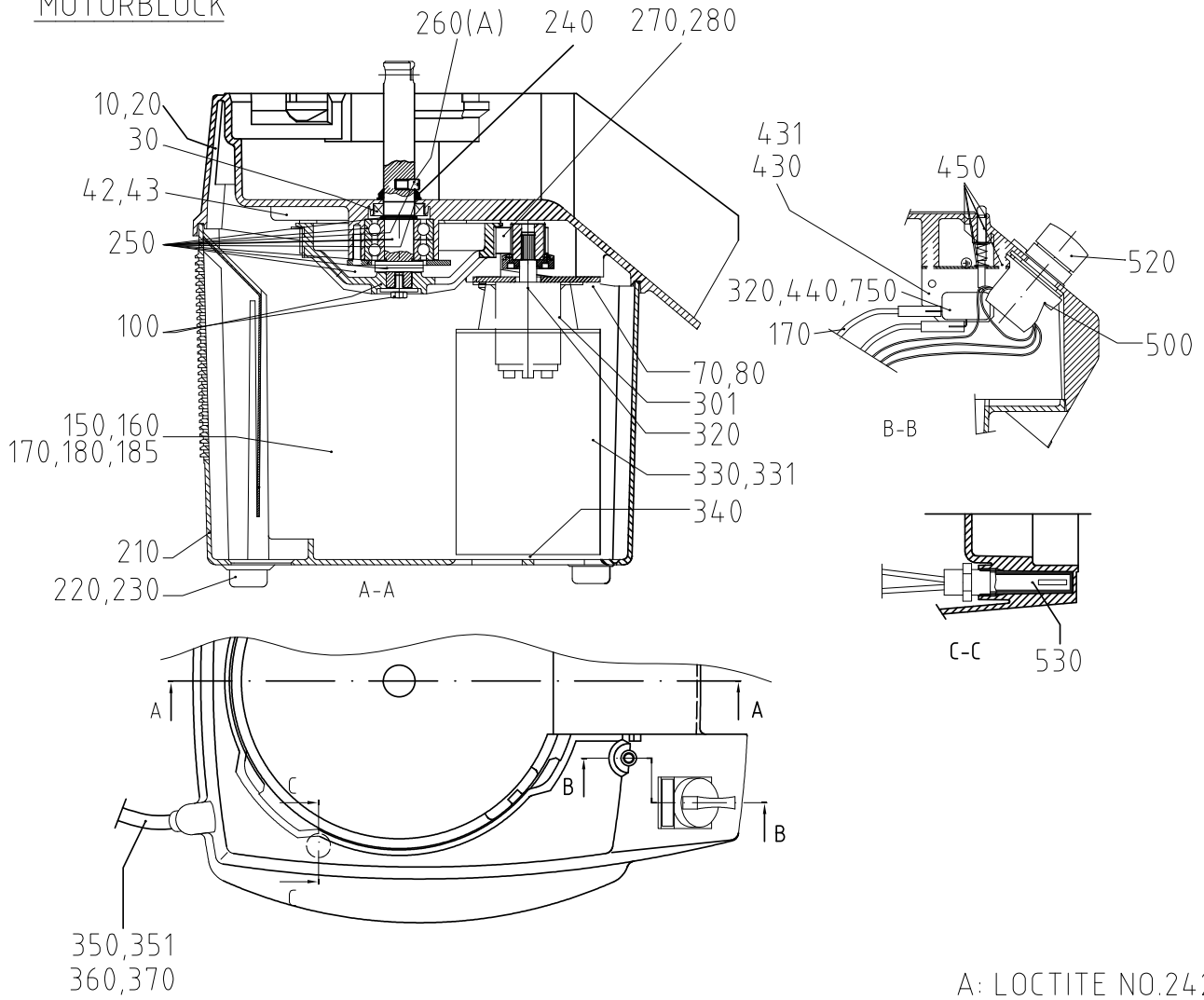
VEGETABLE PREPARATION ATTACHMENT
GRÖNSAKSSKARAR-TILLSATS



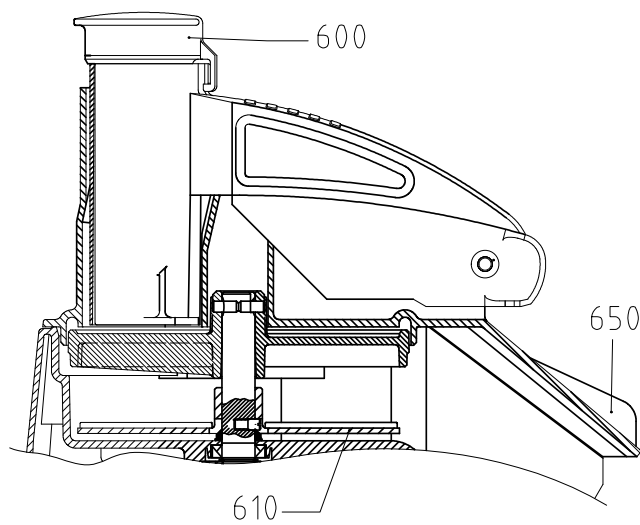
RG-50-1

No. on drawing	Item No.	Description	Beskrivning	Pcs
10	1412	Housing, top inkl knife shaft	Maskinhus överdel med knivaxel	1
20	14249	Screw MKFX-H M5X14 A2-70	Skruv MKFX-H M5X14 A2-70	4
30	10259	Rubber seal washer 18X30X7	Tätningarring 18X30X7 NBR typ a	1
70	14344	Screw M5X12	Skruv ECOSYN-FIX M5X12, A2	4
100	1411	Pulley, knife shaft compl.	Remhjul knivaxel kompl.	1
110	24293	El.-plate, AM	Elplåt, kretskort AM	1
120	14851	Screw MRT M4X10 A2	Skruv MRT M4X10 A2	5
130	14084	Lock washer FBB 4.1 A2	Bricka fjäder FBB 4.1 A2	1
150	15527	Bracket for PC-board AVC BS-9A	Korthållare CS-0610 (48-904-22	4
160	14753	Screw RT-PTF 5.0X20FZ	Skruv RT-PTF 5.0X20FZB TORX/FL	4
170	24343	PC-board CC 230 1 50	Kretskort CC 230 1 50	1
200	24176	Protection plate for lover	Stänklåt	1
210	24340	Housing, base	Maskinhus, underdel	1
220	10494	Rubber foot F-107 B	Fot, gummi M RFR bricka F-107 B	4
230	14333	Screw MRX-H M4X12 A2 70	Skruv MRX-H M4X12 A2 70	4
240	10262	Seal ring V-18S	V-ring typ s 18mm	1
250	1410	Knife shaft compl.	Knivaxel komplett	1
260	24146	Pin, knife shaft	Medbringarstift, knivaxel	1
270	10679	Belt GT 3MR 0408 18	Kuggrem rpp 405 rpp3 18	1
280	24291	Pulley wheel	Brytrulle, kompl.	1
310	24292	Bracket, motor AM	Motorplåt, AM	1
330	15711	Motor 220-240 1 50/60	Motor 220-240 1 50/60	1
340	24300	Net	Nät	1
350	24210	Supply cord 230v CE (1)	Sladdställ 230V CE (1)	1
360	10589	Strain relief clamp 55-016-89	Dragavl.klämma 55-016-89	1
370	14336	Screw MRT-H M4X25 A2 70	Skruv MRT-H M4X25 A2 70	2
380	15422	Cable support NK-5N	Kabelklämma NK-5N	1
390	24296	Seal ring, fan	Tätningstos, fläkt	1
450	1413	Activator pin, safety switch	Tryckstång mikrobryt. kompl	1
500	24222	Knob 0-1 w. blade spring	Vred 0-1 m.bladfjäder	1
520	24295	Rotary switch, CC-32-1	Strömställare, CC-32-1	1
530	24278	Magnetic switch, safety	Magnetbrytare, säkerhet	1
600	24157	Pestle	Stöt	1
610	83032	Ejector plate	Utmatarskiva	1
650	24634	Feed head	Matarinsats	1
750	24116	Microswitch unit, CC-32/34-1	Mikrobrytarehet, CC-32/34-1	1

MOTOR BASE
MOTORBLOCK



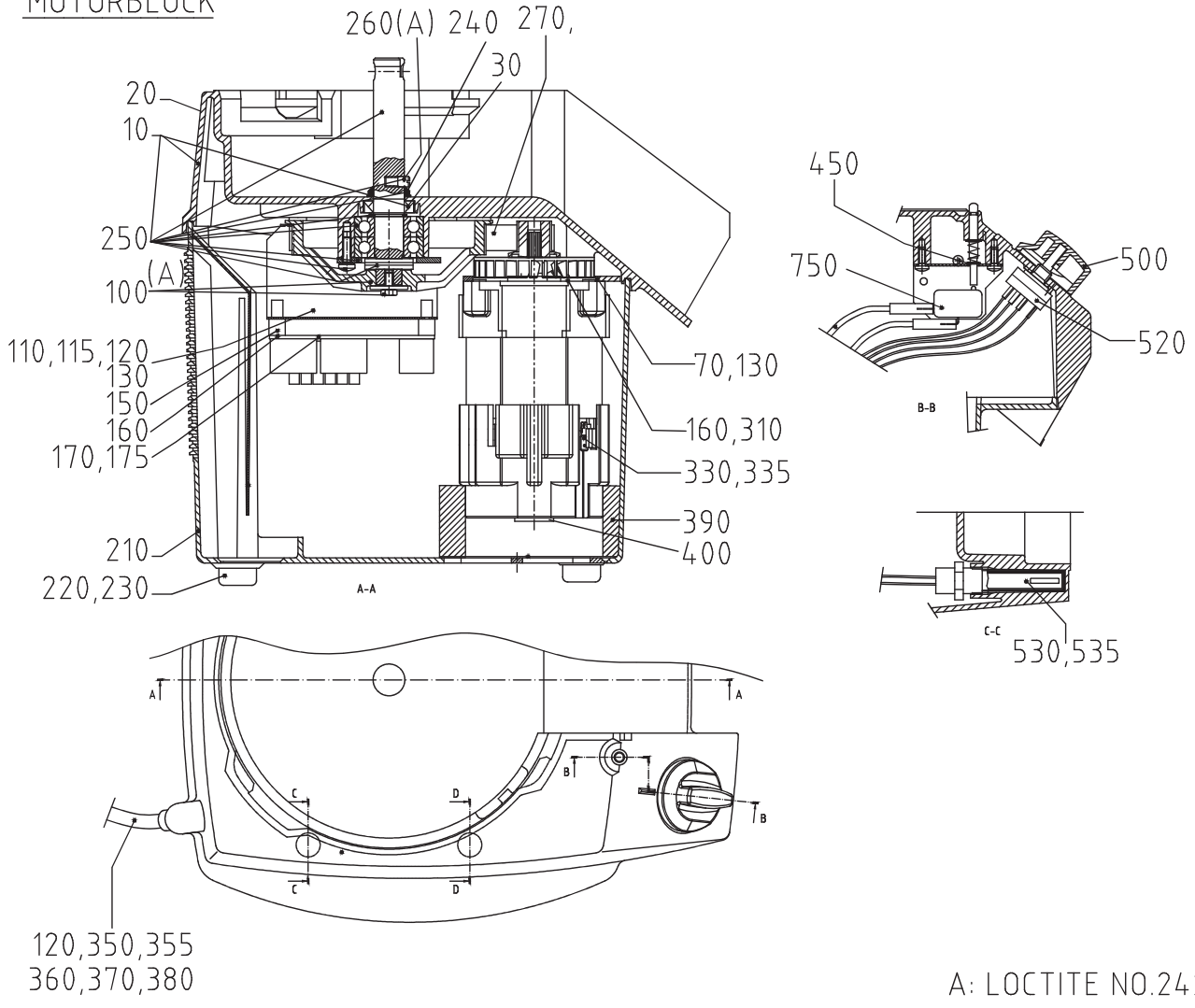
VEGETABLE PREPARATION ATTACHMENT
GRÖNSAKSSKARAR-TILLSATS



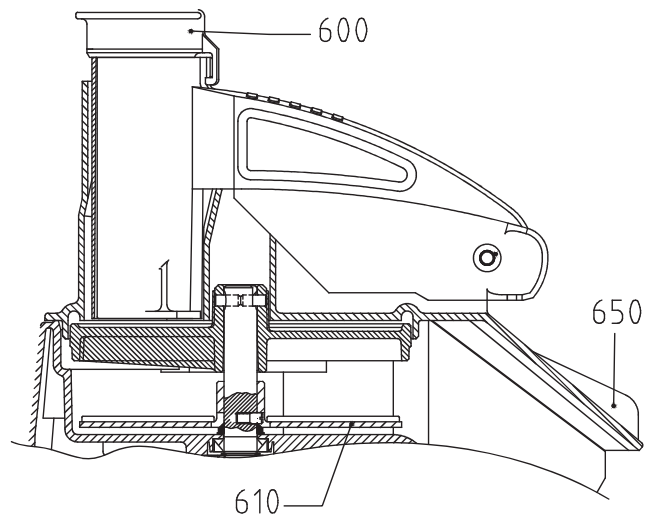
RG-50

No. on drawing	Item No.	Description	Beskrivning	Pcs
10	24751	Housing, top	Maskinhus, överdel	1
20	14249	Screw MKFX-H M5X14 A2-70	Skruv MKFX-H M5X14 A2-70	4
30	10259	Rubber seal washer 18X30X7	Tätningring 18X30X7 NBR typ a	1
42	15384	Fuse T100MA	Säkring T100MA	1
43	15385	Fuse holder	Säkringshållare	1
70	14344	Screw M5X12	Skruv ECOSYN-FIX M5X12, A2	4
80	14852	Screw FRH M5X10 torx	Skruv FRH M5X10 torx	4
100	1411	Pulley,knife shaft compl.	Remhjul knivaxel kompl.	1
150	1110	Cable AWG L=130	Kabel AWG röd L130	1
160	24766	Cable AWG L=290	Kabel AWG L290 röd FLH 6.3	2
170	24767	Cable AWG L=290	Kabel AWG L290 vit	1
180	24768	Cable AWG L=130	Kabel AWG L130 röd	1
185	24769	Cable AWG L=220	Kabel AWG L220 röd 6.3/4.8 FLH	1
210	24340	Housing, base	Maskinhus, underdel	1
220	10494	Rubber foot F-107 B	Fot,gummi M RFR bricka F-107 B	4
230	14333	Screw MRX-H M4X12 A2 70	Skruv MRX-H M4X12 A2 70	4
240	10262	Seal ring V-18S	V-ring typ s 18mm	1
250	1410	Knife shaft compl.	Knivaxel komplett	1
260	24146	Pin, knife shaft	Medbringarstift, knivaxel	1
270	10624	Belt power GRIP 3MR 0390	Kuggrem GT 3MR 0390 18	1
280	24773	Pulley wheel complete	Brythjul komplett	1
301	15707	Relay song chuan 735 3A C3 120	Relä song chuan 735 3A C3 120V	1
320	14611	Screw RTK ST2.9X9.5 A2 70	Skruv RTS 2.9X9.5 A2 70	3
330	24753	Motor unit 110-120v 1 60 HZ	Motorenhet 110-120 60	1
331	24754	Motor unit 230v 1 50HZ	Motorenhet 230 1 50	1
340	24300	Net	Nät	1
350	24778	Supply cord 120v US	Sladdställ 120v US	1
351	24210	Supply cord 230v CE (1)	Sladdställ 230V CE (1)	1
360	10589	Strain relief clamp 55-016-89	Dragavl.klämma 55-016-89	2
370	14337	Screw MRX-H M4X25 A2 70	Skruv MRX-H M4X25 A2 70	2
430	24162	Bracket,safety switch	Fästplåt,mikrobryt.	1
431	23227	Insulating barrier for switch	Isolerskiva för mikrobrytare	1
440	15694	Micro switch 83 160 7-N/C W3	Microswitch 83 160 7-N/C-W3	1
450	1413	Activator pin, safety switch	Tryckstång mikrobryt. kompl	1
500	15704	Contact block	Kontaktblock ZB5 AZ105	1
520	15705	Knob 0/1	Vred ZB5 AD5	1
530	15354	Magnetic switch HM-S-16	Magnetbr. HM-PR15.2-AWG-AX-200	1
600	24157	Pestle	Stöt	1
610	83032	Ejector plate	Utmatarskiva	1
650	24634	Feed head	Matarinsats	1

MOTOR BASE
MOTORBLOCK



VEGETABLE PREPARATION ATTACHMENT
GRÖNSAKSSKÄRAR-TILLSATS

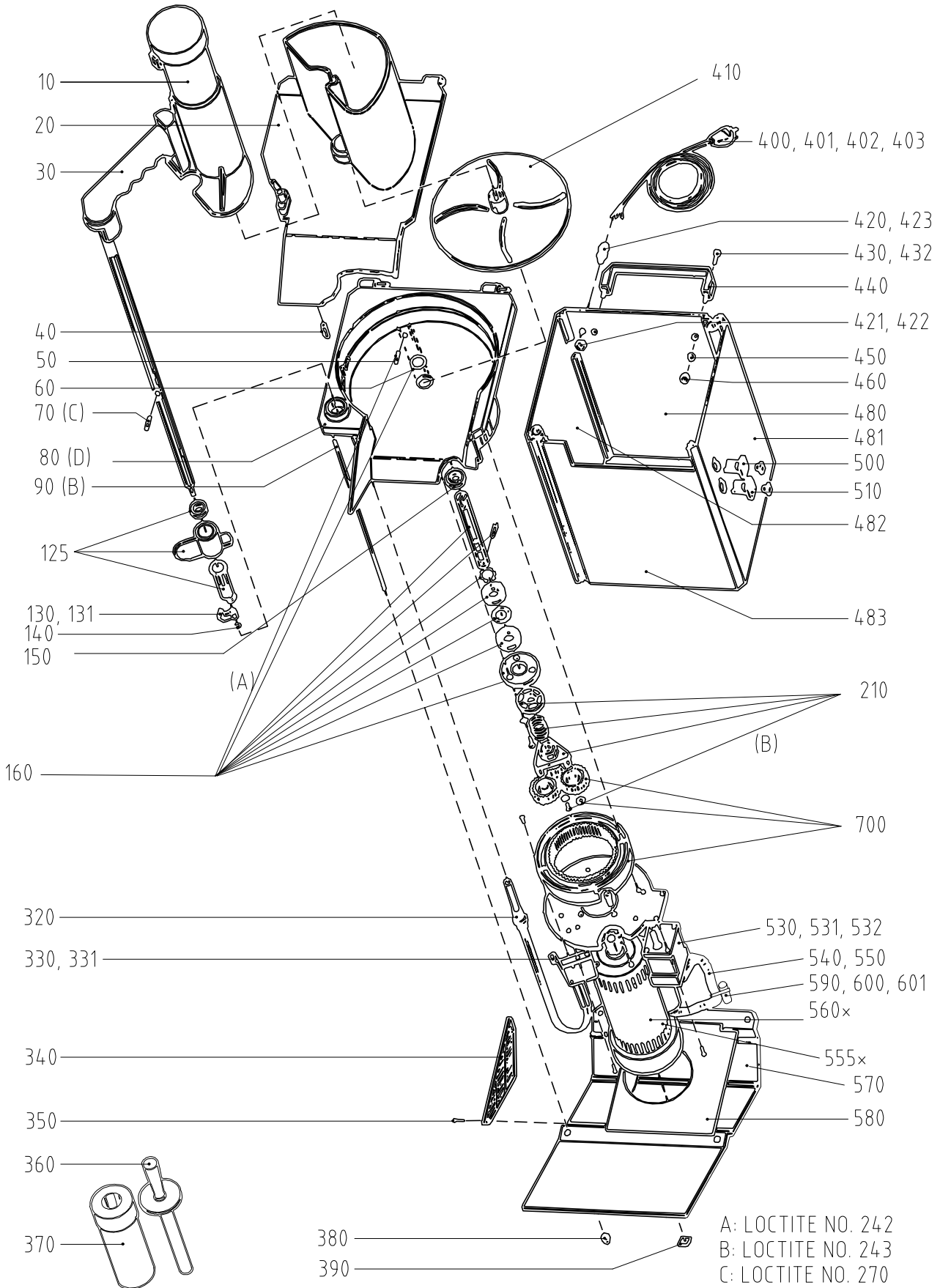


RG-50S

No. on drawing	Item No.	Description	Beskrivning	Pcs
10	1414	Housing, top inkl knife shaft	Maskinhus överdel med knivaxel	1
20	14249	Screw MKFX-H M5X14 A2-70	Skruv MKFX-H M5X14 A2-70	4
30	10259	Rubber seal washer 18X30X7	Tätningring 18X30X7 NBR typ a	1
70	14344	Screw M5X12	Skruv ECOSYN-FIX M5X12, A2	4
100	1411	Pulley, knife shaft compl.	Remhjul knivaxel kompl.	1
110	24293	El.-plate, AM	Elplåt, kretskort AM	1
115	24268	El-plate, UL	Elplåt, kretskort AM UL	1
120	14851	Screw MRT M4X10 A2	Skruv MRT M4X10 A2	5
130	14084	Lock washer FBB 4.1 A2	Bricka fjäder FBB 4.1 A2	1
150	15527	Bracket for PC-board AVC BS-9A	Korthållare CS-0610 (48-904-22	4
160	14753	Screw RT-PTF 5.0X20FZ	Skruv RT-PTF 5.0X20FZB TORX/FL	4
170	24343	PC-board CC 230 1 50	Kretskort CC 230 1 50	1
175	24344	PC-board CC 110v,60	Kretskort CC 110 1 60	1
210	24340	Housing, base	Maskinhus, underdel	1
220	10494	Rubber foot F-107 B	Fot,gummi M RFR bricka F-107 B	4
230	14333	Screw MRX-H M4X12 A2 70	Skruv MRX-H M4X12 A2 70	4
240	10262	Seal ring V-18S	V-ring typ s 18mm	1
250	1410	Knife shaft compl.	Knivaxel komplett	1
260	24146	Pin, knife shaft	Medbringarstift, knivaxel	1
270	10679	Belt GT 3MR 0408 18	Kuggrem rpp 405 rpp3 18	1
310	24292	Bracket, motor AM	Motorplåt, AM	1
330	15711	Motor 220-240 1 50/60	Motor 220-240 1 50/60	1
335	24179	Motor unit 110-120 1 50/60 UL	Motorenhet 110 1 50/60 UL AM	1
350	24210	Supply cord 230v CE (1)	Sladdställ 230V CE (1)	1
355	24211	Supply cord 120v US	Sladdställ 120v US	1
360	10589	Strain relief clamp 55-016-89	Dragavl.klämma 55-016-89	1
370	14336	Screw MRT-H M4X25 A2 70	Skruv MRT-H M4X25 A2 70	2
380	15422	Cable support NK-5N	Kabelklämma NK-5N	1
390	24296	Seal ring, fan	Tätningstos, fläkt	1
450	1413	Activator pin, safety switch	Tryckstång mikrobryt. kompl	1
500	24222	Knob 0-1 w. blade spring	Vred 0-1 m.bladfjäder	1
520	24295	Rotary switch, CC-32-1	Strömställare, CC-32-1	1
530	24278	Magnetic switch,safety	Magnetbrytare,säkerhet	1
535	24332	Magnetic switch, safety AM UL	Magnetbrytare, säkerhet AM UL	1
600	24157	Pestle	Stöt	1
610	83032	Ejector plate	Utmatarskiva	1
650	24634	Feed head	Matarinsats	1
750	24116	Microswitch unit, CC-32/34-1	Mikrobrytarenhet, CC-32/34-1	1

RG-100

No. on drawing	Item No.	Description	Beskrivning	Pcs
10	83038	Pestle	Stöt	1
20	1165	Feed cylinder compl.	Matarcylinder kompl.	1
30	1309	Feeder plate compl. incl shaft	Matarplatta kompl. inkl. axel	1
50	1054	Pin	Medbringarstift	1
60	10262	Seal ring V-18S	V-ring typ s 18mm	1
70	1290	Guide pin	Styrstift	1



A: LOCTITE NO. 242
 B: LOCTITE NO. 243
 C: LOCTITE NO. 270
 D: SILICONE RTV 108 ALL THE WAY AROUND HOUSING

RG-100

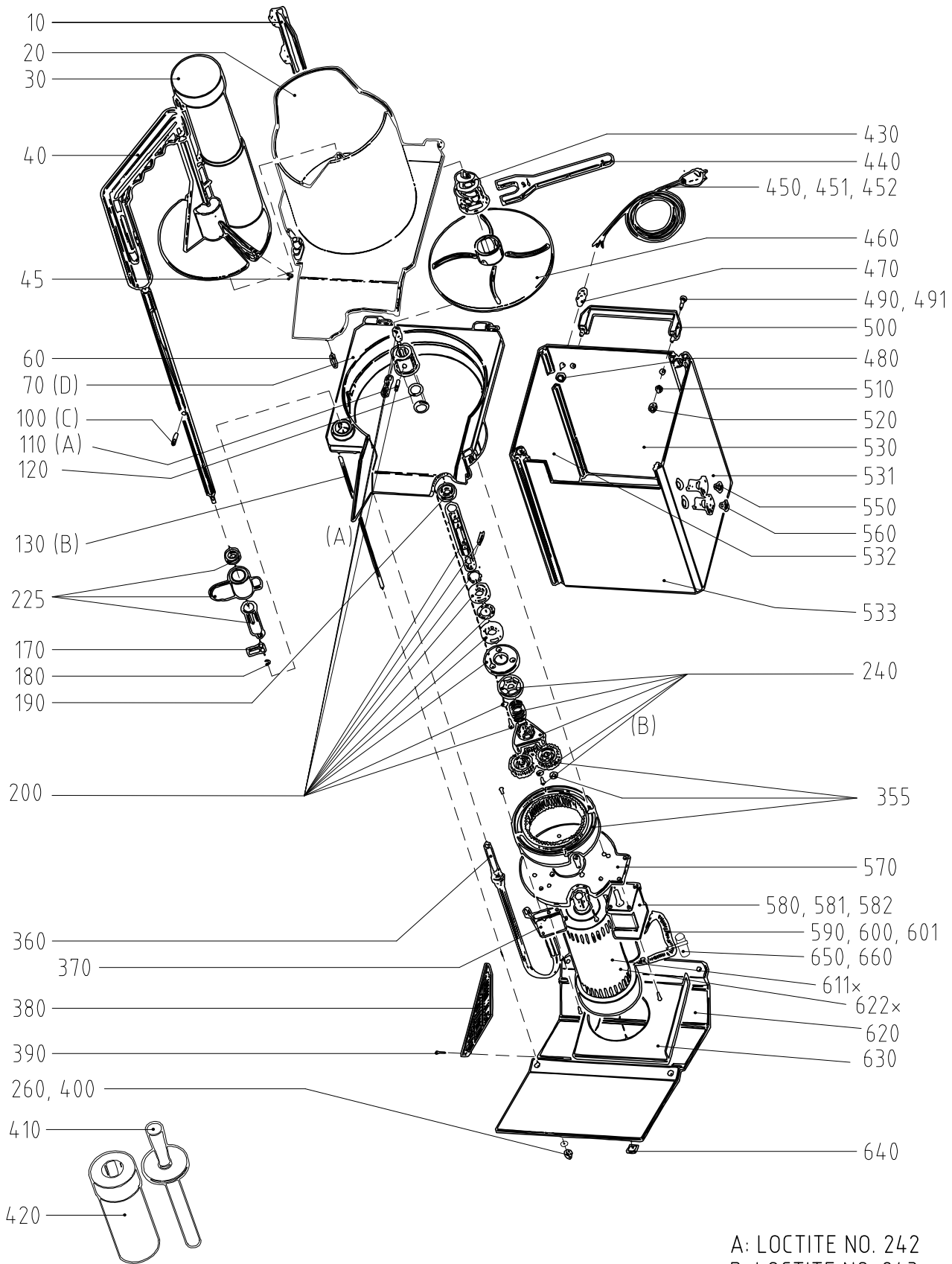
No. on drawing	Item No.	Description	Beskrivning	Pcs
80	1400	Knife chamber RG-100/200	Knivhusenhet RG-100/200	1
90	1039	Screw L=316	Dragstång L=316	4
125	1091	Locking handle compl.	Låsvred kompl. reservd	1
130	14305	Activator compl.	Nock kompl.	1
140	10275	Locking washer RS 4	Spärryttare RS 4	1
150	10259	Rubber seal washer 18X30X7	Tätningring 18X30X7 NBR typ a	1
160	1401	Knife shaft kompl RG100.	Knivaxel komp RG-100.	1
210	1403	Brake kompl. RG-100/200/250.	Broms kompl. RG-100/200/250.	1
320	15354	Magnetic switch HM-S-16	Magnetbr. HM-PR15.2-AWG-AX-200	1
330	1101	Microswitch unit compl. CE	Microswitch enhet kompl. 400v	1
331	1386	Microswitch unit compl. STD	Microswitch enhet STD	1
340	1096	Louver kit	Gavelsats kompl.	1
350	14248	Screw KFX-H ST3,5X9,5 A2 70	Skruv KFX-H ST3,5X9,5 A2 70	6
360	81066	Pestle	Stöt RG-100/RG-200	1
370	1155	Tube	Rörsats	1
380	1267	Nut,domed head M5	Mutter M5 till dragstång	4
390	10273	Rubber foot SJ 5023 black	Fot gummi SJ 5023 svart	4
400	15370	Supply cord 403835-HM EUR	Sladdställ EU	1
401	15377	Supply cord BS/2.5MS UK	Sladdställ BS/2.5MS UK	1
402	15278	Suply cord 439/2.4MG SJT	Sladdställ 439/2.4MG SJT black	1
403	22161	Supply cord 3 phase	Anslutningskabel 3 fas	1
410	83032	Ejector plate	Utmatarskiva	1
420	15623	Cable ret. PR 18,5 metal dia12	Dragavlastare met. PR 18,5 dia	1
421	15627	Nut PG11	Mutter metall PG 11 PR18,6	1
422	15692	Nut PG 9 plastic	Mutter plast, PG 9	1
423	15688	Cable retainer, PG9 (8)	Dragavlastare plast, PG 9 (8)	1
430	14374	Screw MCS M8X20 A2 70	Skruv MCS M8X20 A2 70	2
432	10306	Plug	Täckpropp	2
440	10043	Handle M443/140	Handtag M443/140	1
450	14088	Lock washer FBB 8.2 A2	Bricka fjäder FBB 8.2 A2	2
460	14008	Nut M6M M8 A2 70	Mutter M6M M8 A2 70	2
480	1365	Machine casing back part	Maskinhusdel bak	1
481	1362	Machine casing right part	Maskinhusdel höger	1
482	1364	Machine casing left part	Maskinhusdel vänster	1
483	1363	Machine casing front part	Maskinhusdel fram	1
500	15657	Push button o compl.	Tryckknapp o, kompl.	1
510	15440	Push button 1 complete	Tryckknapp 1 komplett	1
530	15813	Contactora 11BG0910A110	Minikontaktor 11BG0910A110	1
532	15810	Contactora 11BG0610A230	Kontaktor 11BG0610A230	3
540	1104	Wiring loom UL AWG compl.	Kablage UL AWG kompl.	1
550	15384	Fuse T100MA	Säkring T100MA	1
555	*	Capacitor	Kondensator	1
560	*	Motor	Motor	1
570	1249	Base plate RG-200/100 compl.	Fotplatta std RG-200/100 kompl	1
580	1042	Ventilation plate	Fläktplåt	1
590	15132	RC-circuit B3-110 110v	RC-krets B3-110 110v	1
600	15133	RC-circuit B3-220 220v	RC-krets B3-220 220v	1
601	15385	Fuse holder	Säkringshållare	1
700	1098	Planetwheels and gearing kit	Kugghjulssats (acetal)	1

* Contact HALLDE for more information when ordering (supply your serial number).

* Kontakta HÄLLDE för mer information och beställning (Ange serienummer).

RG-200

No. on drawing	Item No.	Description	Beskrivning	Pcs
10	1171	Partition wall compl.	Mellanvägg kompl.	1
20	1188	Feed cylinder compl.	Matarcylinder kompl.	1
30	83038	Pestle	Stöt	1
40	1180	Feeder plate compl. incl shaft	Matarkolv kompl. inkl. axel	1



A: LOCTITE NO. 242
 B: LOCTITE NO. 243
 C: LOCTITE NO. 270

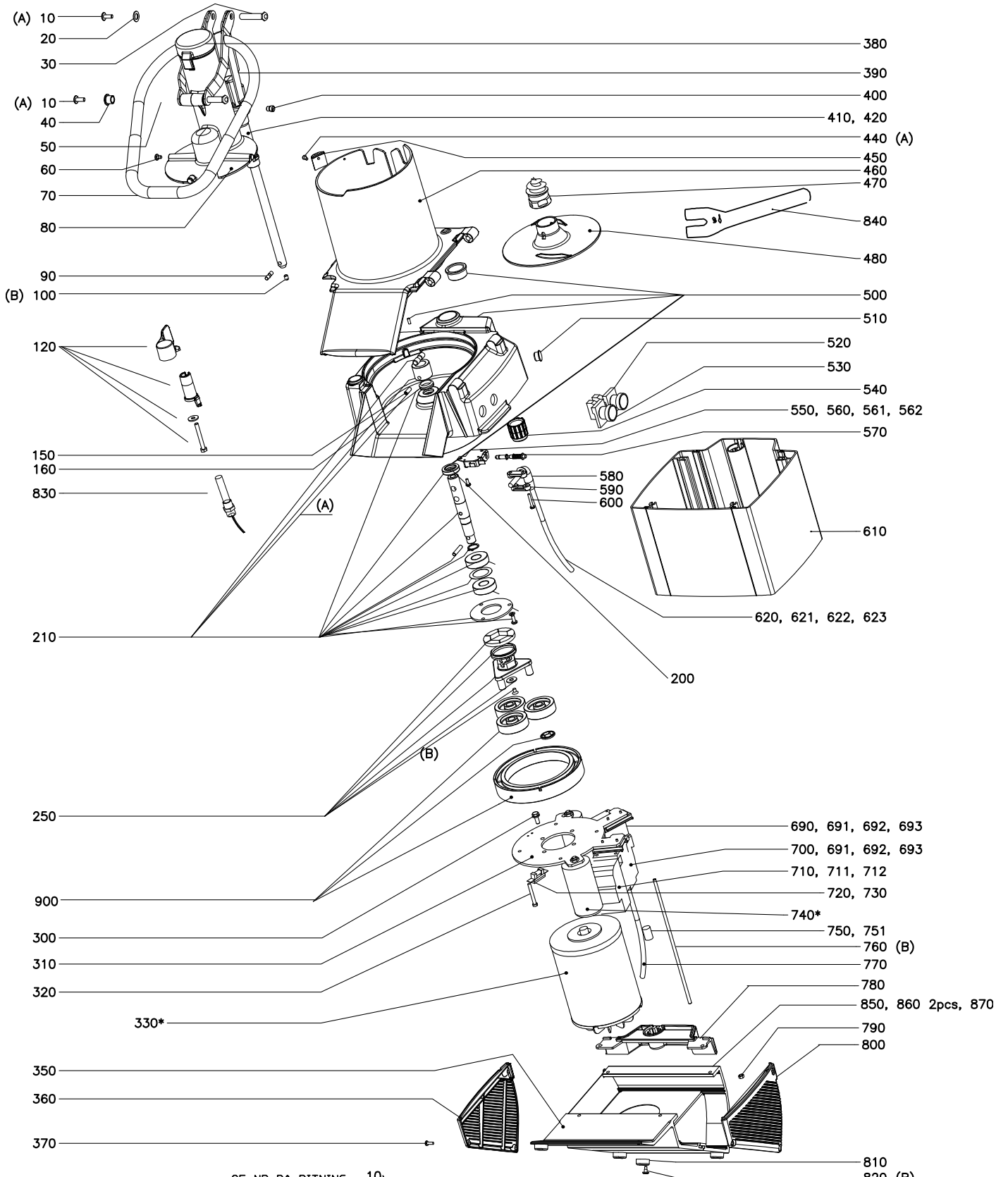
D: SILICONE RTV 108 ALL THE WAY AROUND HOUSING

RG-200

No. on drawing	Item No.	Description	Beskrivning	Pcs
45	40839	Slide knob	Glidkuts dia. 8	1
70	1400	Knife chamber RG-100/200	Knivhusenhet RG-100/200	1
100	1290	Guide pin	Styrstift	1
110	3152	Carrier pin for ejector plate	Medbringarpinne, utmatarskiva	2
120	10262	Seal ring V-18S	V-ring typ s 18mm	1
130	1039	Screw L=316	Dragstång L=316	4
170	1073	Activator CE/ STD	Nock CE/ STD	1
180	10275	Locking washer RS 4	Spärryttare RS 4	1
190	10259	Rubber seal washer 18X30X7	Tätningring 18X30X7 NBR typ a	1
200	1402	Knife shaft kompl RG-200.	Knivaxel komp RG-200/250.	1
225	1091	Locking handle compl.	Låsvred kompl. reservd	1
240	1403	Brake kompl. RG-100/200/250.	Broms kompl. RG-100/200/250.	1
260	14085	Lock washer FBB 5,1 A2	FjäderBricka FBB 5.1 A2	8
355	1098	Planetwheels and gearing kit	Kugghjulssats (acetal)	1
360	15354	Magnetic switch HM-S-16	Magnetbr. HM-PR15.2-AWG-AX-200	1
370	1387	Microswitch unit compl. CE	Microbrytare kompl. 230v	1
380	1096	Louver kit	Gavelsats kompl.	1
390	14248	Screw KFX-H ST3,5X9,5 A2 70	Skruv KFX-H ST3,5X9,5 A2 70	6
400	1267	Nut, domed head M5	Mutter M5 till dragstång	4
410	81066	Pestle	Stöt RG-100/RG-200	1
420	1155	Tube	Rörinsats	1
430	1172	Decoring device	Borrhylsa kompl.	1
440	1184	Wrench for decoring device	Nyckel för borrhylsa	1
450	15370	Supply cord 403835-HM EUR	Sladdställ EU	1
451	15377	Supply cord BS/2.5MS UK	Sladdställ BS/2.5MS UK	1
452	15278	Suply cord 439/2.4MG SJT	Sladdställ 439/2.4MG SJT black	1
460	1159	Ejector plate	Utmatarskiva	1
470	15688	Cable retainer, PG9 (8)	Dragavlastare plast, PG 9 (8)	1
480	15692	Nut PG 9 plastic	Mutter plast, PG 9	1
490	14374	Screw MCS M8X20 A2 70	Skruv MCS M8X20 A2 70	2
491	10306	Plug	Täckpropp	2
500	10043	Handle M443/140	Handtag M443/140	1
510	14088	Lock washer FBB 8.2 A2	Bricka fjäder FBB 8.2 A2	2
520	14008	Nut M6M M8 A2 70	Mutter M6M M8 A2 70	2
530	1365	Machine casing back part	Maskinhusdel bak	1
531	1362	Machine casing right part	Maskinhusdel höger	1
532	1364	Machine casing left part	Maskinhusdel vänster	1
533	1363	Machine casing front part	Maskinhusdel fram	1
550	15657	Push button o compl.	Tryckknapp o, kompl.	1
560	15440	Push button 1 complete	Tryckknapp 1 komplett	1
580	15813	Contactora 11BG0910A110	Minikontaktor 11BG0910A110	1
582	15810	Contactora 11BG0610A230	Kontaktor 11BG0610A230	3
590	15384	Fuse T100MA	Säkring T100MA	1
600	1104	Wiring loom UL AWG compl.	Kablage UL AWG kompl.	1
601	15385	Fuse holder	Säkringshållare	1
611	*	Motor	Motor	1
620	1095	Base plate compl.	Fotplatta kompl.	1
622	*	Capacitor	Kondensator	1
630	1170	Fan plate	Fläktplåt	1
640	10273	Rubber foot SJ 5023 black	Fot gummi SJ 5023 svart	4
650	15132	RC-circuit B3-110 110v	RC-krets B3-110 110v	1
660	15133	RC-circuit B3-220 220v	RC-krets B3-220 220v	1

* Contact HALLDE for more information when ordering (supply your serial number).

* Kontakta HÄLLDE för mer information och beställning (Ange serienummer).



(A) LOCTITE 242

(B) LOCTITE 243

SE NR PÅ RITNING

- 10
 - 20
 - 30
 - 40
 - 50
 - 60
 - 70
 - 80
 - 90
 - 100
 - 390
 - 400
 - 410
 - 420
- 920

RG-250

No. on drawing	Item No.	Description	Beskrivning	Pcs
10	25190	Screw	Skruv, länk	2
20	10642	Washer, plastic 18/10,5X1,5	Bricka, plast 18/10,5X1,5	2
30	25162	Shaft L=45	Axel L=45	1
40	25181	Bushing 19/14-10,2	Bussning 10/14X20X10X2	2
50	25189	Shaft L=56	Axel L=56	1
60	33305	Slide knob dia. 10X4	Glidkuts dia. 10X3,75	3
70	25155	Pusher handle	Arm	1
80	25102	Feeder plate incl. shaft	Matarkolv inkl axel	1
90	25159	Pin, 6MM	Sprint, 6mm	1
100	14833	Lock screw	Skruv stopp SK6SS M6X8 A2 70	1
120	1406	Locking handle kompl.	Låsvred kompl. RG-250	1
150	3152	Carrier pin for ejector plate	Medbringarpinne, utmatarskiva	2
160	10262	Seal ring V-18S	V-ring typ s 18mm	1
200	10259	Rubber seal washer 18X30X7	Tätningring 18X30X7 NBR typ a	1
210	1402	Knife shaft kompl RG-200.	Knivaxel komp RG-200/250.	1
250	1403	Brake kompl. RG-100/200/250.	Broms kompl. RG-100/200/250.	1
300	14521	Screw M6S M6X12H	Skruv M6S M6X12H A2 70	4
310	25149	Plate, motor	Motorplåt	1
320	14353	Screw MRT M5X40	Skruv MRT M5X40 A2 70	4
330	*	Motor	Motor	1
350	25140	Base	Fotplatta kompl.	1
360	25146	Louver, left	Galler, vänster	1
370	14662	Screw KFSS ST3.5X13 A2 70	Skruv KFSS ST3.5X13 A2 70	6
380	25180	Pestle	Stöt	1
390	25160	Link	Länk	1
400	25191	Screw for link system	Skruv, axelfäste	2
410	25161	sleeve for link system	Länkarmsfäste	1
420	25182	Bushing 18-15,3	Bussning 18-15,3	2
440	14223	Screw MKFS M4X 10 A2 70	Skruv MKFS M4X10 A2 70	1
450	25177	Support, piston	Stöd, kolv	1
460	25106	Feed cylinder kompl.	Matarcylinder kompl. res	1
470	1172	Decoring device	Borrhylsa kompl.	1
480	25153	Ejector plate	Utmatarskiva	1
500	1404	Knife chamber RG-250	Knivhusenhet RG-250	1
510	10455	Plug IKPT 1715S	Täckpropp IKPT 1715S	1
520	15657	Push button o kompl.	Tryckknapp o, kompl.	1
530	15440	Push button 1 complete	Tryckknapp 1 komplett	1
540	25158	Guide bushing	Styrbussning	1
550	25145	Safety switch kompl. US	Mikrobrytarehet	1
560	14851	Screw MRT M4X10 A2	Skruv MRT M4X10 A2	2
561	15565	Micro switch XGT42C-86-S20Z1	Mikrobrytare XGT2C-86-S20Z1 1	1
562	23227	Insulating barrier for switch	Isolerskiva för mikrobrytare	1
570	25163	Activator pin kompl.	Tryckstång kompl. reservd.	1
580	15648	Sleeve 134-002 dia. 12/8	Böjskydd 134-002, dia.12/8	1
590	10589	Strain relief clamp 55-016-89	Dragavl.klämma 55-016-89	2
600	14336	Screw MRT-H M4X25 A2 70	Skruv MRT-H M4X25 A2 70	2
610	25137	Machine housing kompl.	Maskinhus kompl	1
620	15208	Supply cord SJT3X14 AWG, US	Sladdställ SJT3X14 AWG (UL)	1
621	15370	Supply cord 403835-HM EUR	Sladdställ EU	1
622	15377	Supply cord BS/2.5MS UK	Sladdställ BS/2.5MS UK	1
623	22161	Supply cord 3 phase	Anslutningskabel 3 fas	1
690	15813	Contactora 11BG0910A110	Minikontaktor 11BG0910A110	1
691	15810	Contactora 11BG0610A230	Kontaktor 11BG0610A230	4
692	15818	Contactora 11BG0610A400	Minikontaktor 11BG0610A400	2
700	15815	Contactora BF1210A110	Kontaktor BF1210A110	1
710	15811	Overload rel.RF120160	Termo mini RF120160	1

* Contact HALLDE for more information when ordering (supply your serial number).

* Kontakta HÄLLDE för mer information och beställning (Ange serienummer).

RG-250

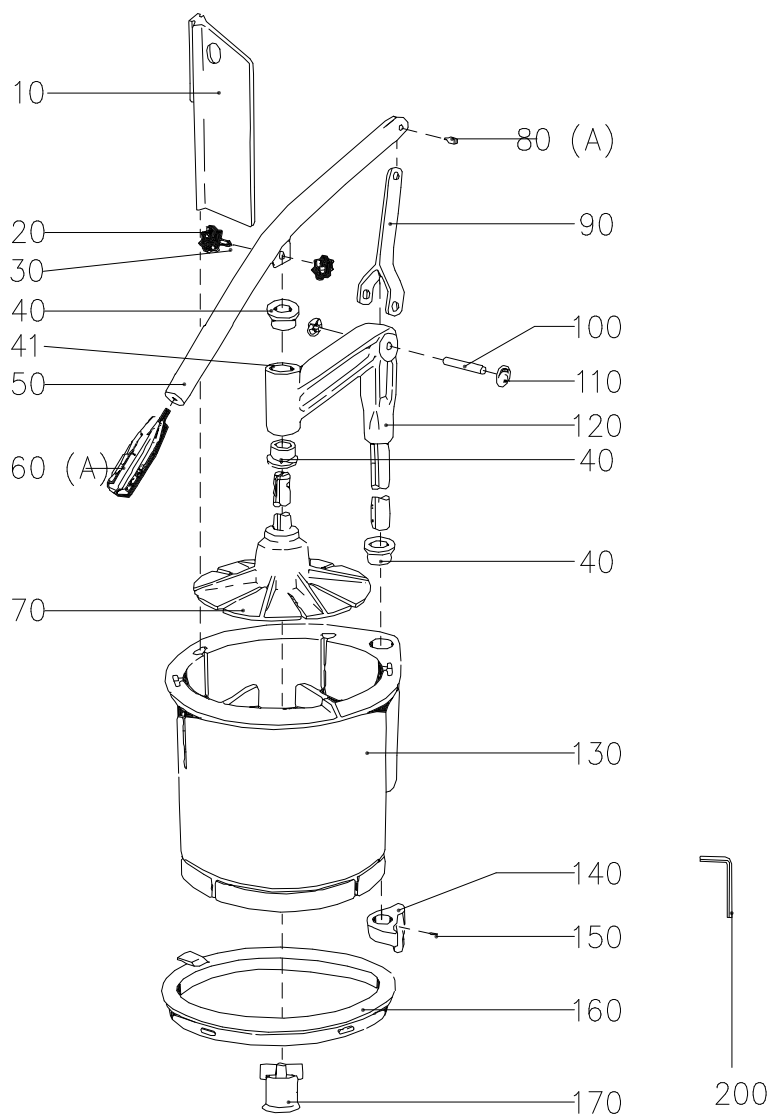
No. on drawing	Item No.	Description	Beskrivning	Pcs
711	15816	Overload RF120630	Termoutlösare RF120630	1
712	15666	Overload rel. 7-10A 110v	Termoutlösare MT-32k 7-10 amp	1
720	15385	Fuse holder	Säkringshållare	1
730	15384	Fuse T100MA	Säkring T100MA	1
740	*	Capacitor	Kondensator	1
750	15132	RC-circuit B3-110 110v	RC-krets B3-110 110v	1
751	15133	RC-circuit B3-220 220v	RC-krets B3-220 220v	1
760	25136	Draw bar kit M5	Dragstångssats	1
770	25135	Wiring kit	Kabelsats	1
780	25148	Handle	Handtag	1
790	14046	Nut, locking LM M5 A2	Mutter, lås LM M5 A2	4
800	25147	Louver, right	Galler, höger	1
810	10507	Foot, rubber BVO 22H10	Fot, gummi BVO 22H10	4
820	40786	Screw for rubberfoot	Skruv för gummifot	4
830	15354	Magnetic switch HM-S-16	Magnetbr. HM-PR15.2-AWG-AX-200	1
840	1184	Wrench for decoring device	Nyckel för borrhylsa	1
850	10497	Bushing plastic 05-6-10-7.5	Bussning plast 05-6-10-7.5	1
860	10498	Easher plastic 32-6	Bricka plast 32-6	2
870	14465	Screw LSKS M6X20 A2 70	Skruv LSKS M6X20 A2 70	1
900	1098	Planetwheels and gearing kit	Kugghjulssats (acetal)	1
920	25103	Feeder unit compl.	Matarkolv kompl.	1

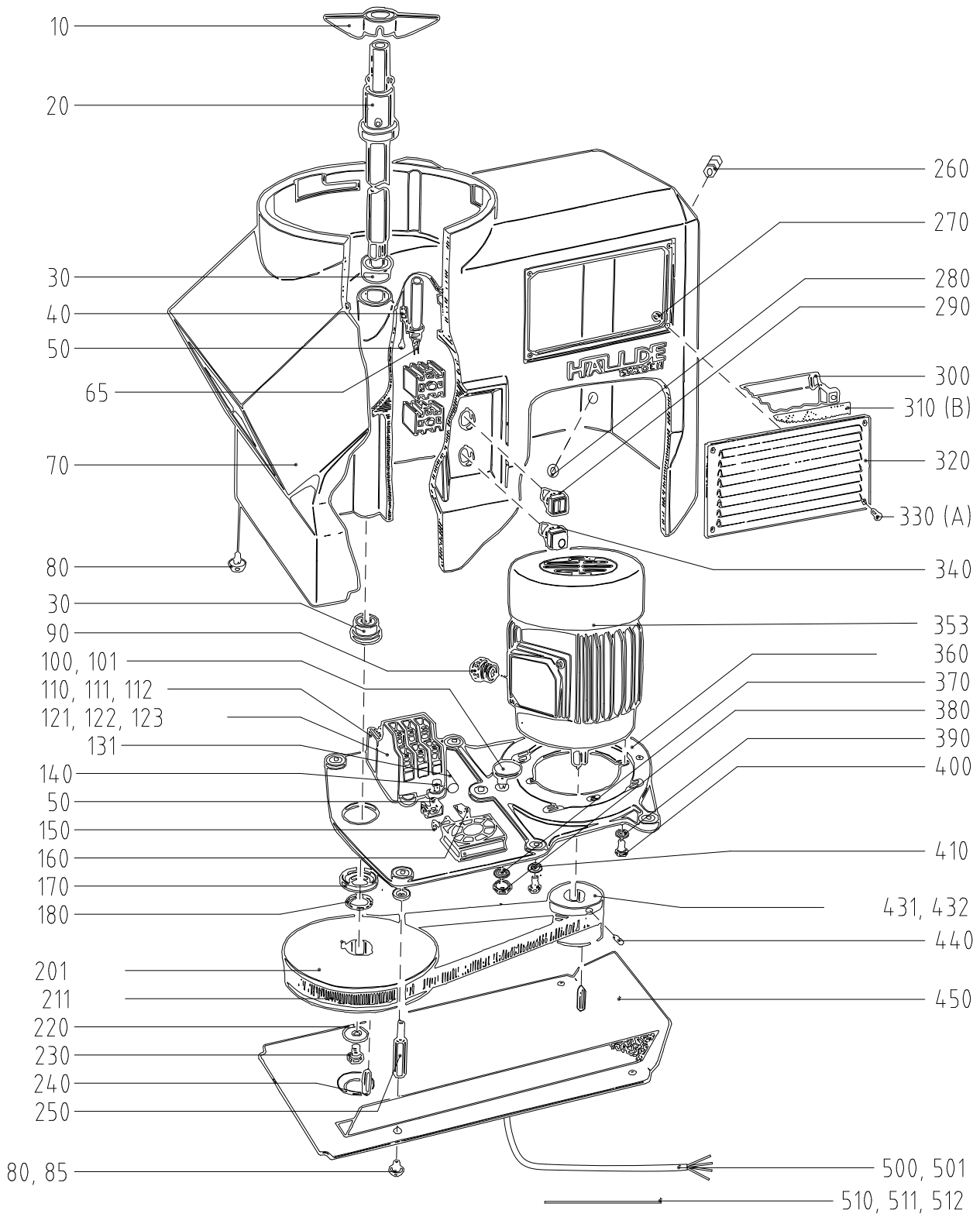
* Contact HALLDE for more information when ordering (supply your serial number).

* Kontakta HÅLLDE för mer information och beställning (Ange serienummer).

RG-7 FLEXIFEEDER/ FLEXIMATARE

No. on drawing	Item No.	Description	Beskrivning	Pcs
10	81032	Partition wall	Mellanvägg för flexi	2
20	10038	Lobe knob 25-M5	Stjärnvred 25-M5	2
30	81045	Lock screw	Låsskruv flexi	1
40	81041	Bushing	Bussning för kolvaxel	3
41	81070	Sleeve	Distans f.stativ flexi	1
50	81033	Lever	Arm flexi	1
60	10044	Handle 80-M10X16	Handtag 80-M10X16	1
70	81031	Piston incl. shaft	Kolv inkl. axel	1
80	81046	Link screw	Länkskruv	1
90	81034	Link	Länk	1
100	81047	Pivot rod	Lagertapp	1
110	10060	Lock washer w.cap CRFR 08 6671	Låsbricka CRFR 08 6671	2
120	81035	Stand incl. shaft	Stativ inkl. axel	1
130	81029	Feed cyl. w. locking, bushing	Matarcylinder m. låsring, buss	1
140	81037	Stopper w. magnet incl. screw	Stoppklack m. magnet,skruv	1
150	14820	Stop screw SK6SS M5X5	Skruv stopp SK6SS M5X5	2
160	80053	Lock ring	Låsring	1
170	81042	Locking cap	Låshylsa	1
200	10123	Hexagon key 2.5 mm	Sexkantnyckel 2,5 mm	1





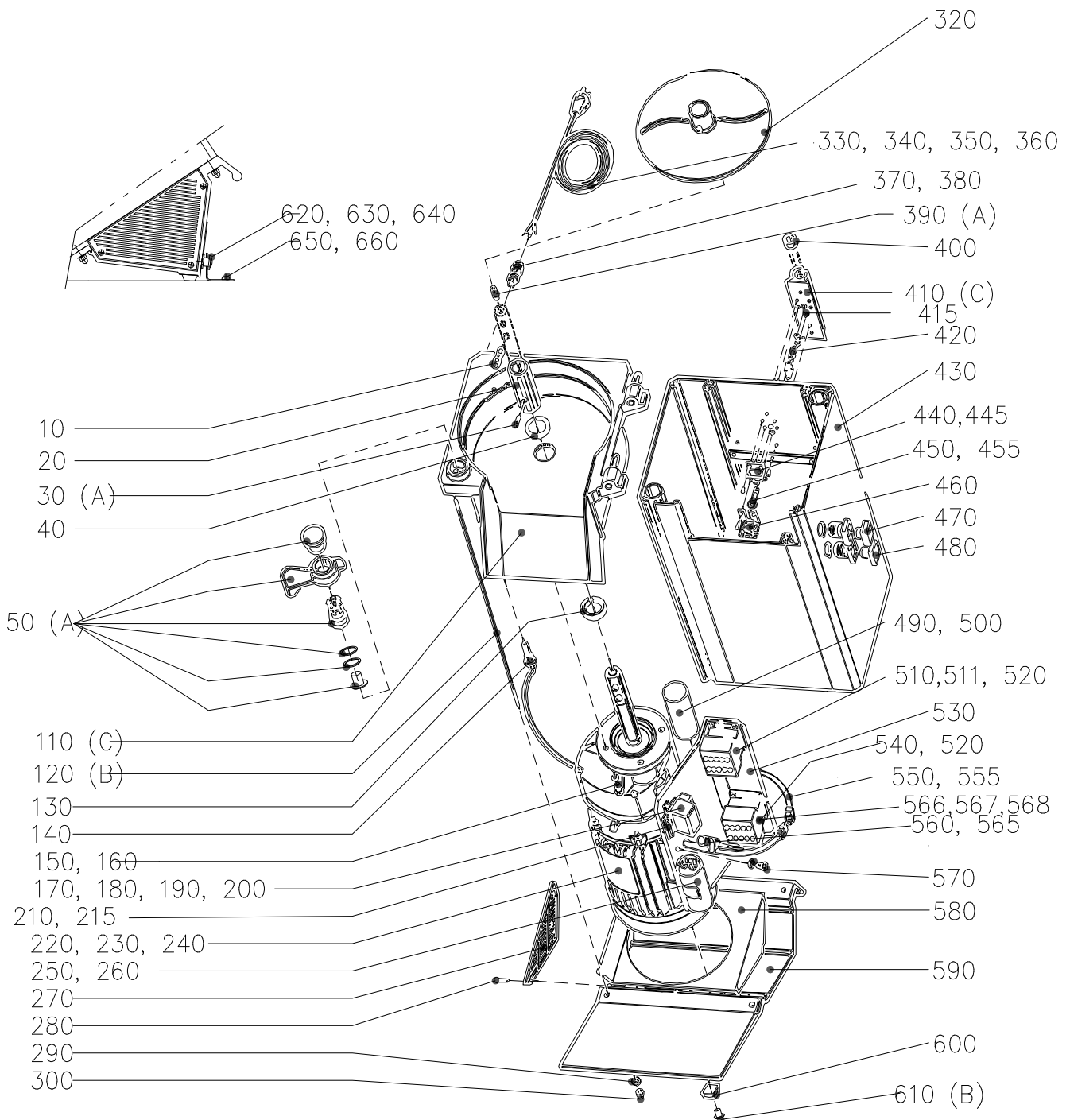
A: LOCTITE NO. 243
B: SILICONE RTV 108 ALL THE WAY AROUND NET

RG-7

No. on drawing	Item No.	Description	Beskrivning	Pcs
10	80037	Ejector nylon	Utmatare nylon	1
20	80038	Knife shaft compl.	Knivaxel kompl.	1
30	10001	Self lubr. bushing 20/28X35	Oljebronsbusning 20/28X35	2
40	80050	Bracket	Fästvinkel	1
50	14322	Screw MCS M4X8	Skruv MCS M4X8	4
65	15316	Magn. switch HM-S-15 RK 0,75	Magnetbrytare HM-S-15 RK 0,75	1
70	80131	Mach. housing, bushing, louver	Maskinhus m. lager, gällock, N	1
80	10056	Foot	Gummifot	6
85	14323	Screw MCS M4X10 A2 70	Skruv MCS M4X10 A2 70	6
90	15229	Cable retainer PR22,5	Dragavlastare plast PR22,5	1
100	80045	V-belt tension device 3-phase	Remspännare, 3-fas	1
101	80137	V-belt tension device 1-phase	Remspännare, 1-fas	1
110	15812	Overload relay RF381400V195	Termoutlösare RF381400V195	1
111	15811	Overload rel.RF120160	Termo mini RF120160	1
122	15810	Contactora 11BG0610A230	Kontaktor 11BG0610A230	2
123	15818	Contactora 11BG0610A400	Minikontaktor 11BG0610A400	1
131	15133	RC-circuit B3-220 220v	RC-krets B3-220 220v	1
140	14324	Screw MCS M4X12	Skruv MCS M4X12	2
150	15218	Strap	Buntband SST 1,5l	2
160	15193	Ground plate M4	Jordskylt, gul 12,5X12,5	1
170	80041	Bearing washer	Lagerbricka	1
180	6001	Cup spring	Brickfjäder	1
201	80042	Knife shaft pulley	Knivaxelhjul	1
211	10025	V-belt 10X6X650	Kilrem Z26 10X675LP/653 hipowe	2
220	14069	Washer BRB 8,4X24X2 A2 70	Bricka BRB 8.4X24X2 A2 70	1
230	14542	Screw M6S M8X16H A2 70	Skruv M6S M8X16H A2 70	1
240	10062	Key R5X5X25	Kil R5X5X25	1
250	80057	Distance screw	Distansskruv	4
260	15684	Cable retainer PG 13	Dragavlastare PG 13	1
270	14003	Nut M6M M3	Mutter M6M M3	8
280	15686	Nut, PG 13 plastic	Mutter plast, PG 13	1
290	15440	Push button 1 complete	Tryckknapp 1 komplett	1
300	80177	Protection plate, louver	Stänkskydd	2
310	80095	Net for louver	Nät för gällock	2
320	80046	Louver	Gällock	2
330	14307	Screw MCS M3X16	Skruv MCS M3X16	8
340	15657	Push button o compl.	Tryckknapp o, kompl.	1
353	15024	Motor 220/380 3 50	Motor 220/380 3 50	1
360	80034	Motor plate, 3 phase	Motorplatta 3-fas	1
370	14070	Washer BRB 10,5X22X2	Bricka BRB 10,5X22X2	1
380	14010	Nut M6M M10	Mutter M6M M10	1
390	14067	Washer BRB 6,4X18X1,6	Bricka RBS 6,4X18X1,6 A2	4
400	14525	Screw M6S M6X20	Skruv M6S M6X20H A2 70	4
410	14068	Washer BRB 8,4X16X1,5	Bricka BRB 8,4X16X1,5	6
431	80044	Motor pulley, 3-phase	Motorhjul 3-fas	1
432	80052	Motor pulley, 1-phase	Motorhjul 1-fas	1
440	14836	Lock screw	Skruv stopp SK6SS M6X12 A2 70	1
450	80036	Protection plate	Skyddsplåt	1
500	80066	Motor cable 3phase	Anslutningskabel 3-FAS	1
501	80065	Motor cable 1phase 0,47	Motorkabel 1-fas 0.47	1
510	15210	Cable AWG16 green-yellow	Kabel AWG 16 gul/grön	1
512	15212	Cable AWG16 black	Kabel AWG 16 svart	1

RG-350

No. on drawing	Item No.	Description	Beskrivning	Pcs
10	40548	Carrier pin	Medbringarpinne	1
20	15783	Thrust sleeve	Hylsa	1
30	15784	Carrier pin for ejector plate	Medbringarpinne, utmatarskiva	2
40	10311	Seal ring V-35S	Tätningring V-35S	1
50	40524	Locking handle complete	Låsvred kompl.	1
110	40540	Knife chamber	Knivhus	1
120	40629	Pin screw set	Dragstängssats kompl.	1
130	10444	Seal ring basl 35X52X10	Tätningring basl 35X52X10	1
140	15354	Magnetic switch HM-S-16	Magnetbr. HM-PR15.2-AWG-AX-200	1
150	14086	Lock washer FBB 6.1 A2	Bricka fjäder FBB 6.1 A2	4
160	14525	Screw M6S M6X20	Skruv M6S M6X20H A2 70	4
170	15510	Start relay kit 230v	Startrelä MA0002RO LS 230v	1
180	40807	Start relay kit 230v	Startreläsats 230v ersätter kl	1



A: LOCTITE NO.242

B: LOCTITE NO.243

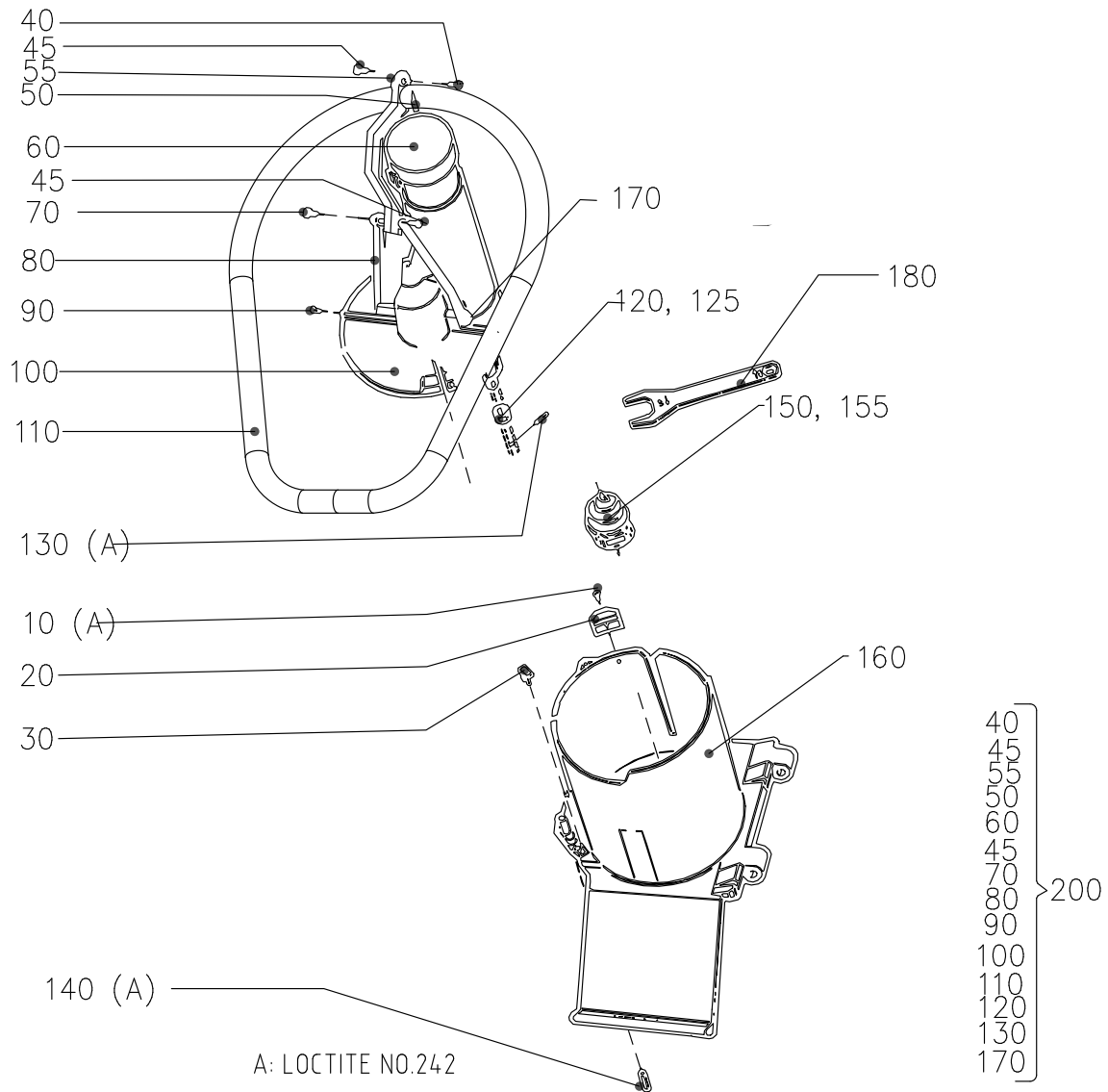
C: SILICONE RTV 108 ALL THE WAY AROUND HOUSING

RG-350

No. on drawing	Item No.	Description	Beskrivning	Pcs
190	15503	Start relay no260 klixon 110v	Startrelä klix.260 110v	1
200	40814	Start relay kit 110v	Startreläsats 110v ersätter kl	1
210	15384	Fuse T100MA	Säkring T100MA	1
215	15385	Fuse holder	Säkringshållare	1
220	15780	Motor CB1701-4SB5 110-120 1 60	Motor CB1701-4SB5 110-120 1 60	1
230	15781	Motor 220-240 1 50/60	Motor 220-240 1 50/60 Hz	1
240	15782	Motor CB1701-4SB5 400 3 50	Motor CB1701 208-400 3 50/60	1
250	15502	Capacitor,start 193MICROF 110v	Kondensator,start 193MF,110v	1
260	15499	Capacitor,start 80MICROF 230v	Kondensator,start 80MF,230v	1
270	1096	Louver kit	Gavelsats kompl.	1
280	14248	Screw KFX-H ST3,5X9,5 A2 70	Skruv KFX-H ST3,5X9,5 A2 70	6
290	14085	Lock washer FBB 5,1 A2	FjäderBricka FBB 5.1 A2	6
300	1267	Nut,domed head M5	Mutter M5 till dragstång	4
320	3086	Ejector plate	Utmatarskiva	1
330	15495	Supply cord 437U/2,5 MS RDO	H05RN-F 3G 1.5 mm2	1
340	15377	Supply cord BS/2.5MS UK	Sladdställ BS/2.5MS UK	1
350	15208	Supply cord SJT3X14 AWG, US	Sladdställ SJT3X14 AWG (UL)	1
360	22161	Supply cord 3 phase	Anslutningskabel 3 fas	1
370	15480	Cable retain. met. PR18.6 dia9	Dragavlastare met.PR18.6 dia9	1
380	15483	Cable retain. met.PR15.2 dia10	Dragavlastare met.PR15.2 dia10	1
390	14844	Locking screw PSS M8X 12 A2 70	Stoppskruv PSS M8X12 A2 70	1
400	40680	Bushing	Bussning axelfäste	2
410	40637	Bracket incl screws	Axelfäste inkl. bussn. skruv	1
415	10500	Sealring 06X2.2 N70BN02F	O-ring 06X2.2 N70BN02F	2
420	40638	Activator pin short compl.	Tryckstång kort kompl.	1
430	40567	Housing assembly compl.	Maskinhus kompl.	1
440	40640	Microswitch unit single compl.	Mikrobrytarenh enkel kompl.	1
445	15481	Micro switch BVMF ULS	Mikrobrytare BVMF ULS	1
450	40639	Activator pin long compl.	Tryckstång lång kompl.	1
455	10499	Spring SF-TFR 0,75-6-15	Fjäder tryck SF-TFR 0,75-6-15	2
460	40641	Microswitch unit double compl.	Mikrobrytarenh dubbel kompl.	1
470	15657	Push button o compl.	Tryckknapp o, kompl.	1
480	15440	Push button 1 complete	Tryckknapp 1 komplett	1
490	15501	Capasitor,run 80MICROF. 110v	Kondensator,drift 80MIK.F 110v	1
500	15489	Capasitor 16 MF, 220-240V	Kondensator 16 MF, 220-240V	1
510	15810	Contactora 11BG0610A230	Kontaktor 11BG0610A230	4
520	15815	Contactora BF1210A110	Kontaktor BF1210A110	1
530	40632	Panel incl. fasteners	El-plåt inkl fästdetaljer	1
540	15813	Contactora 11BG0910A110	Minikontaktor 11BG0910A110	1
550	40787	Wring loom, LS-relay	Kabelsats LS-relä	1
555	40800	Wiring loom 3-phase	Kabelsats 3-fas	1
560	15132	RC-circuit B3-110 110v	RC-krets B3-110 110v	1
565	15133	RC-circuit B3-220 220v	RC-krets B3-220 220v	1
566	15669	Overload relay 12-18A	Termoutlösare MT-32K 400	1
567	15816	Overload RF120630	Termoutlösare RF120630	1
568	15812	Overload relay RF381400V195	Termoutlösare RF381400V195	1
570	14339	Screw MRX-H M5X12 A2 70	Skruv MRT M5X12 H	6
580	40547	Fan plate	Fläktplåt	1
590	40622	Base	Fotplatta kompl.	1
600	10507	Foot, rubber BVO 22H10	Fot, gummi BVO 22H10	4
610	40786	Screw for rubberfoot	Skruv för gummifot	4
620	10497	Bushing plastic 05-6-10-7.5	Bussning plast 05-6-10-7.5	1
630	10498	Easher plastic 32-6	Bricka plast 32-6	2
640	14465	Screw LSKS M6X20 A2 70	Skruv LSKS M6X20 A2 70	1
650	40780	Bracket	Fästvinkel	1
660	14990	Screw CSS 4.8X25 A2	Skruv CSS 4.8X25 A2	2

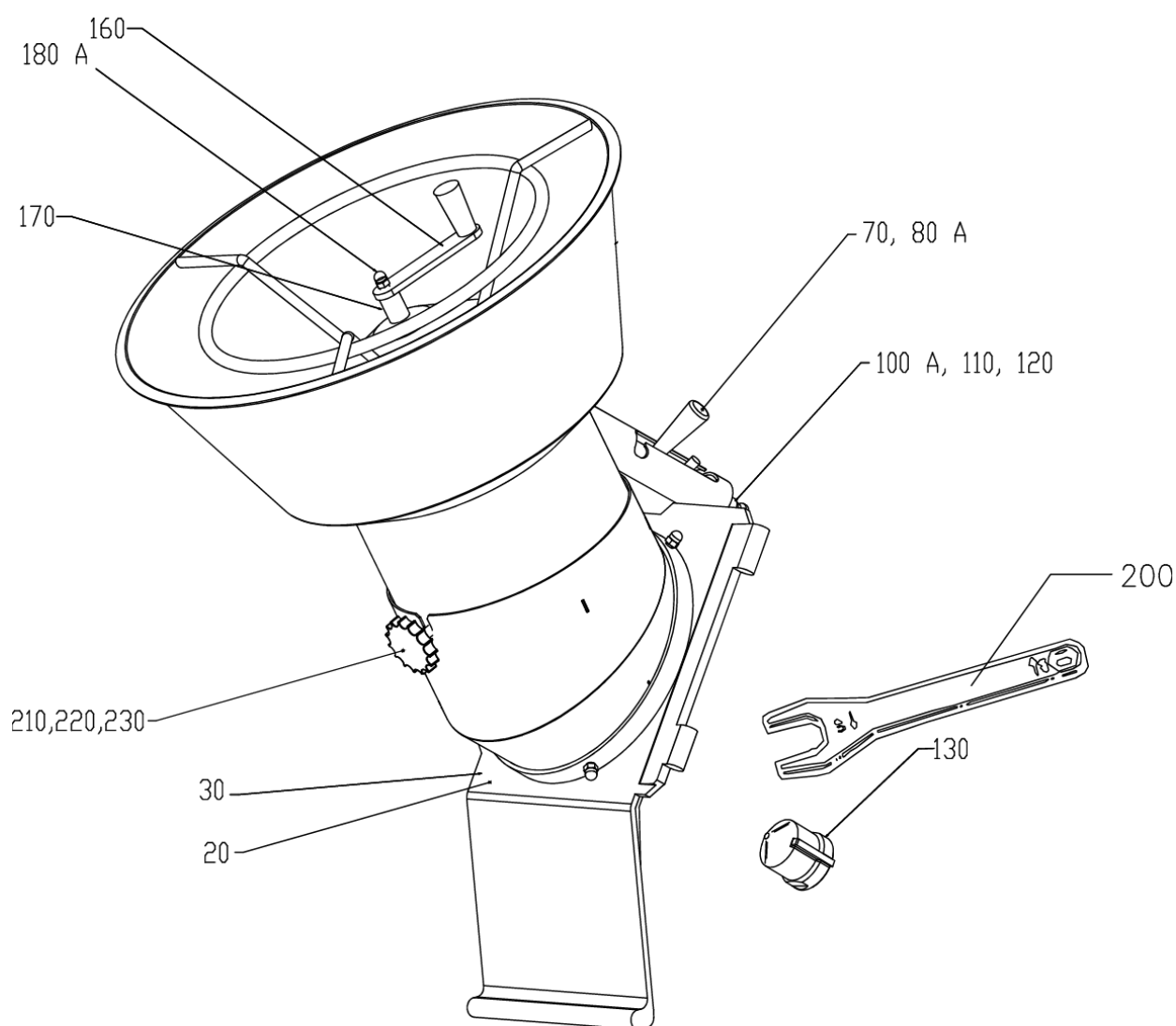
RG-350 MANUAL FEEDER, ERGO LOOP/ MANUELL MATARE, ERGO LOOP

No. on drawing	Item No.	Description	Beskrivning	Pcs
10	14223	Screw MKFS M4X 10 A2 70	Skruv MKFS M4X10 A2 70	2
20	40628	Support plate	Stödplatta	1
30	40627	Sliding washer	Glidplatta plast	1
40	25162	Shaft L=45	Axel L=45	1
45	25190	Screw	Skruv, länk	2
50	40844	Pusher shaft	Axel ergo	1
55	40848	Bushing	Bussning	2
60	40554	Pestle	Stöt	1
70	40849	Nut L=12,5	Mutter L=12,5	1
80	40894	Pusher link	Länk ergo	2
90	40575	Slide knob	Glidkuts matarkolv	3
100	40876	Pusher plate Ergo compl.	Matarplatta Ergo	1
110	40845	Pusher handle ergo	Matararm ergo	1
120	40846	Bushing 20.4/25X30	Bussning 20.4/25X30	1
125	40762	Bushing 25X13	Bussning 20.4/25X15	1
130	1054	Pin	Medbringarstift	1
140	10052	Magnet dia. 8X30	Magnet 8X30 "fram till 04-04"	1
150	3129	Decoring device 3ph	Borrhylsa 3-fas	1
155	40636	Decoring device 1ph compl.	Borrhylsa 1-fas kompl.	1
160	40887	Feed cylinder compl.	Matarcylinder kompl.	1
170	25191	Screw for link system	Skruv, axelfäste	2
180	3162	Wrench	Nyckel till låshylsa	1
200	40869	Push feeder handle	Ergomatare	1



RG-350 FEED HOPPER/ TRATTMATARE

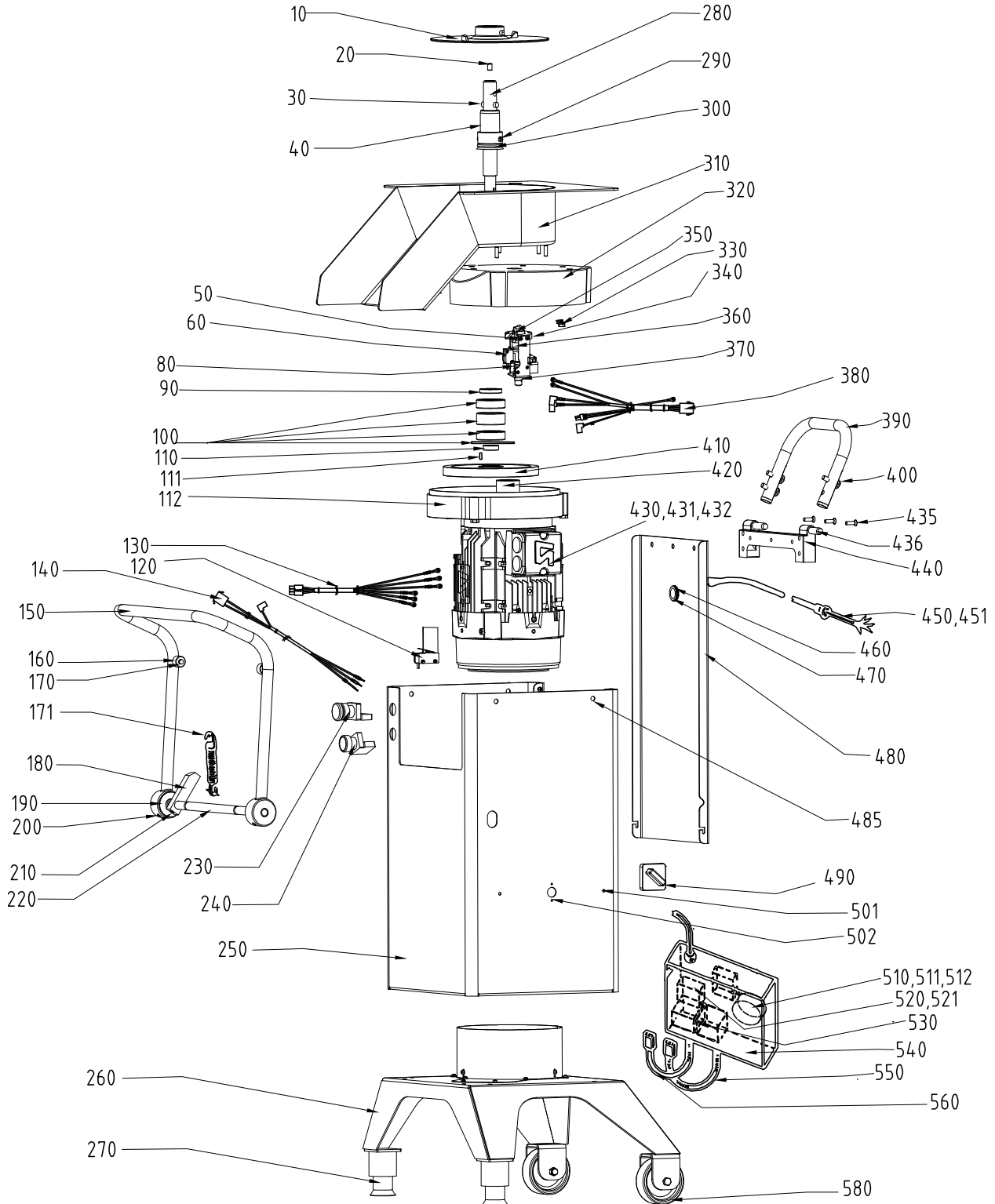
No. on drawing	Item No.	Description	Beskrivning	Pcs
20	40627	Sliding washer	Glidplatta plast	1
30	10052	Magnet dia. 8X30	Magnet 8X30 "fram till 04-04"	1
70	10343	Handle l280/65-M8	Handtag l280/65-M8	1
80	3149	Stud screw	Pinnskruv	1
100	1054	Pin	Medbringarstift	1
110	40892	Sliding sleeve	Glidhylsa	1
120	40890	Locking shaft	Låsaxel	1
130	40891	Stiring sleeve	Omrörarkapsel	1
160	3311	Agitator arm	Omrörararm kompl.	1
170	40893	Stirer	Omrörare	1
180	14028	Nut MHM M8	Kupollåsmutter LMHM M8 A2	1
200	3162	Wrench	Nyckel till låshylsa	1
210	10036	Lobe knob 25-M5	Stjärnvred tratt 350	1
220	10281	Locking washer 12X21	Starlock utan kapsel 5	1
230	10306	Plug	Täckpropp	1



A: LOCTITE NO:243

RG-400i

No. on drawing	Item No.	Description	Beskrivning	Pcs
10	37042	Ejector plate	Utmatarskiva	1
20	14844	Locking screw PSS M8X 12 A2 70	Stopskruv PSS M8X12 A2 70	1
30	40548	Carrier pin	Medbringarpinne	1
40	37043	Sleeve	Hylsa för axel	1
50	14853	Screw MRT M4X6 A2	Skruv MRT M4X6 A2	4
60	37251	Micro switch unit	Mikrobrytarehet	2
80	10324	Spring, safety switch 22510	Fjäder f. brytare 22510	1
90	10318	Seal ring 25X40X7	Tätningring 25X40X7	1
100	37152	Ball bearings kompl.	Kullager kompl.	1
110	3056	Spacer ring 20/28	Distans 20/28	1
111	10321	Key PKR 6X6X16	Kil PKR 6X6X16	1
112	37158	Motor bearer complete	Motorfäste komplett	1
120	37157	Micro switch complete	Microbrytare komplett	1

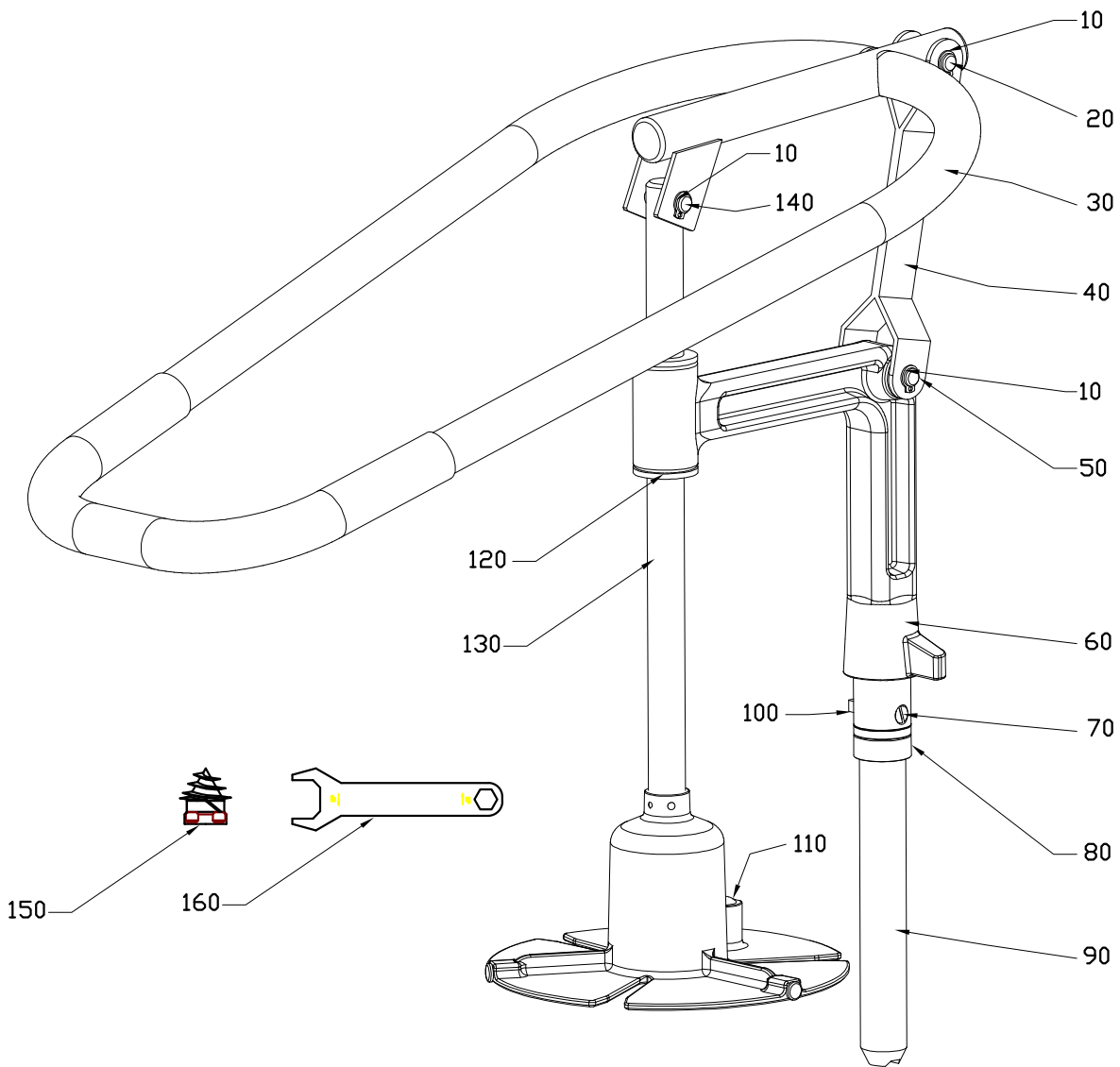


RG-400i

No. on drawing	Item No.	Description	Beskrivning	Pcs
130	3194	Wiring loom motor	Kabelstam motor	1
140	37135	Wiring loom machine	Kabelstam maskinenhet	1
150	37017	Lock handle	Låshandtag	1
160	37217	Roller locking handle	Rulle, låshandtag	2
170	10326	Lock ring SGA 8 SS	Låsring SGA 8 RFR	2
171	3111	Tension spring	Dragfjäder	2
180	3108	Stopper for lock handle	Stopp för låshandtag	1
190	3089	Bushing for lock handle	Bussning för låshandtag	2
200	14849	Screw TSS 8X25 A2 70	Skruv TSS M8X25 A2 70	2
210	14845	Screw TSS 8X15 A2 70	Skruv TSS M8X15 A2 70	1
220	37020	Shaft lock handle	Axel för låshandtag	1
230	15439	Push button o complete	Tryckknapp o komplett	1
240	15440	Push button 1 complete	Tryckknapp 1 komplett	1
250	37075	Machine housing front part	Maskinhus fram	1
260	37052	Base	Fotplatta	1
270	37154	Feet complete	Fot komplett	1
280	37072	Knife shaft complete	Knivaxel komplett	1
290	37059	Carrier pin for ejector plate	Medbringarpinne, utmatarskiva	2
300	10311	Seal ring V-35S	Tätningring V-35S	1
310	37001	Knife chamber	Knivhus	1
320	37006	Gearbox top	Växellåda topp	1
330	14006	Nut M6M M6 A2 70	Mutter M6M M6 A2 70	6
335	10539	O-ring 21.1X1.6	O-ring 21.1X1.6	1
340	37047	Casing for switch	Hylsa för brytare	1
350	10325	Seal ring 17.1X1.6	O-ring 17.1X1.6	2
360	37213	Shaft safety switch	Axel för brytare	1
370	37250	Bushing	Flänsbussning	1
380	37109	Wiring loom, machine	Kabelstam, maskinenhet	1
390	3110	Handle knifechamber	Handtag, knivhus	1
400	14375	Screw M6M M6 A2 70	Skruv MCS M8X25 A2 70	4
410	37156	Gear wheel 173.2 complete	Kuggghjul 173.2 komplett	1
420	37155	Gear wheel 53.6 complet	Kuggghjul 52.6 komplett	1
430	15435	Motor 400-415 3 50	Motor 400-415 3 50/60	1
431	15433	Motor 220 3 50 4-8 RG-400	Motor 220 3 50 4-8 RG-400	1
432	15432	Motor 208-220 3 60 UL	Motor 208-220 3 60 UL	1
435	14269	Screw MKFS M6X25 A2 70	Skruv MKFS M6X25 A2 70	3
436	37171	Seal ring	O-Ring ID8 T2	1
440	37098	Hinge	Gångjärn hane	1
450	3177	Supply cord STD	Kabel, el-box, inkommande-STD	1
451	3193	Supply cord US	Kabel, el-box, inkommande-US	1
460	15381	Cable ret PR 22.5 dia 15	Dragavlastare PR 22.5 dia 15	1
470	15443	Nut PR 22.5/PG16 metal	Mutter, metall PR 22.5/PG16	1
480	37023	Machine housing back part	Maskinhus bak	1
485	14464	Screw LSKS M6X16	Skruv LSKS M6X16	4
490	15442	Pole changing switch incl knob	Polomkopplare inkl.vred	1
502	14853	Screw MRT M4X6 A2	Skruv MRT M4X6 A2	2
505	15718	Varistor S20K510	Varistor S20K510	1
510	15589	Transformer 208-240v 22-26v UL	Transformator 208-240v UL	1
511	15611	Transformer 400/380V-24 50VA	Transformator 400-380V 24 50VA	1
512	15689	Transf. 440-415V 24 100VA 80C	Transf. 440-415V 24 100VA 80C	1
520	15814	Overl. rel. RF12400	Termoutlösare RF120400	1
521	15816	Overload RF120630	Termoutlösare RF120630	1
530	15825	Contacto 11BG0910A024	Kontaktor 11BG0910A024	2
540	15587	Box CT-841	Apparatlåda CT-841 Polycarb.	1
550	3195	Wiring loom pole changening	Kabelstam polomkopplare	1
560	3192	Wiring loom electrical box	Kabelstam el-box	1
580	37153	Wheel complete	Hjul komplett	1

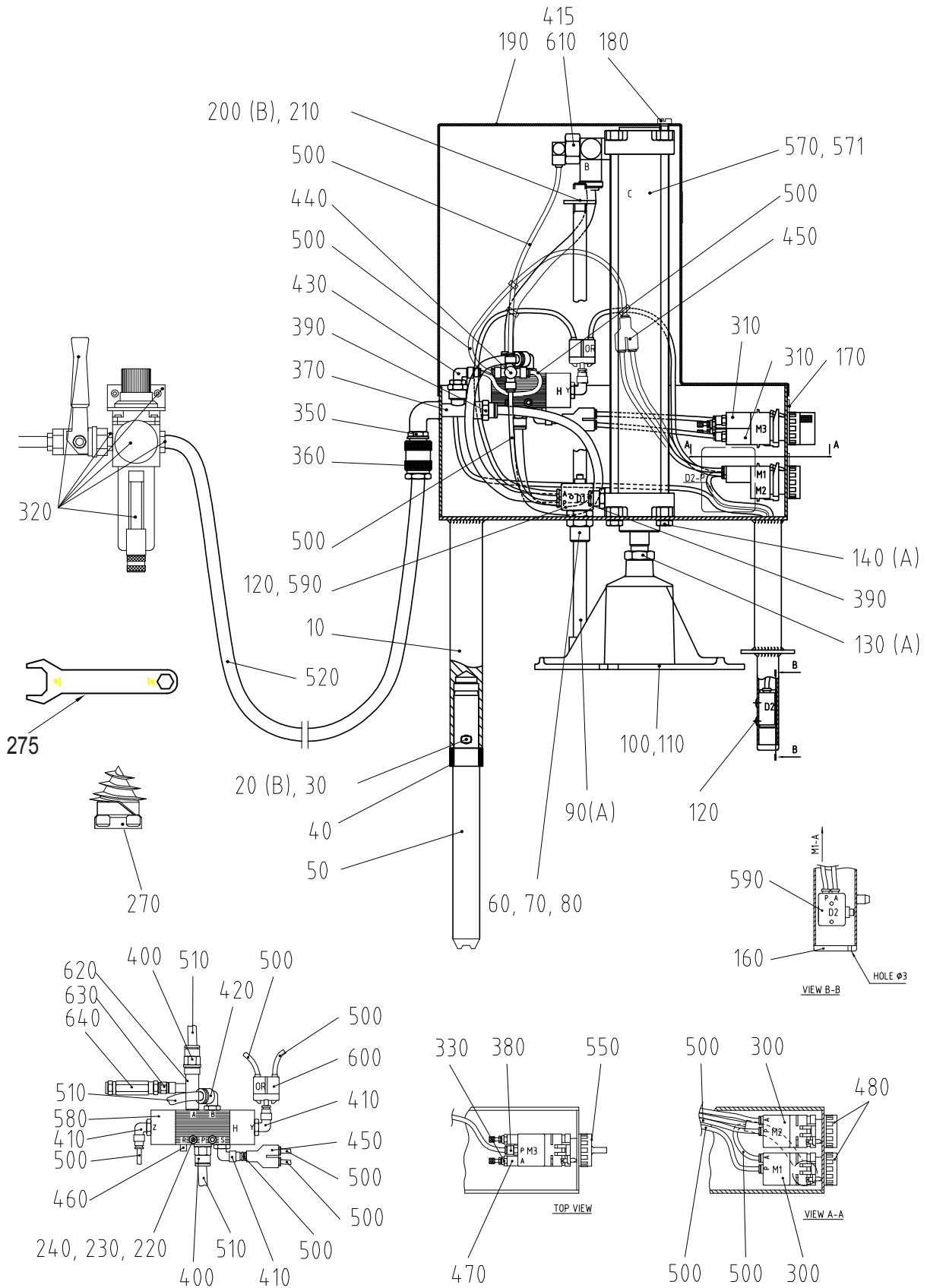
RG-400i/ RG-400 MANUAL PUSH FEEDER, ERGO LOOP/ MANUELL MATARE, ERGO LOOP

No. on drawing	Item No.	Description	Beskrivning	Pcs
10	10335	Lock ring SGA 10	Låsring SGA 10	6
20	3298	Pivot L=38	Lagertapp L=38	1
30	33431	Push handle Ergo	Matararm Ergo	1
40	3066	Link	Länk	1
50	3297	Pivot L=51	Lagertapp L=51	1
60	37148	Stand complete	Stativ komplett	1
70	14149	Screw MFS M5X16	Skruv MFS M5X16	1
80	37244	Bushing	Bussning matarinsats	1
90	33318	Shaft stand M99	Axel stativ M99	1
100	3212	Pin for stand L=28	Tapp stativarm L=28	1
110	10452	Plug SFL 14	Täckpropp SFL 14	1
120	3074	Bushing for stand	Bussning stativ	2
130	37061	Feeder plate including shaft	Matarkolv inkl. axel	1
140	3299	Pivot L=34	Lagertapp L=34	1
150	3129	Decoring device 3ph	Borrhylsa 3-fas	1
160	3162	Wrench	Nyckel till låshylsa	1



RG-400i / RG-400 PNEUMATIC PUSH FEEDER/ TRYCKLUFTSDRIVEN MATARE

No. on drawing	Item No.	Description	Beskrivning	Pcs
10	3098	Stand	Stativarm	1
20	3212	Pin for stand L=28	Tapp stativarm L=28	1
30	14149	Screw MFS M5X16	Skruv MFS M5X16	1
40	37244	Bushing	Bussning matarinsats	1
50	33318	Shaft stand M99	Axel stativ M99	1
60	3106	Bearing holder	Lagerhus	1



THREAD LOCKING COMPOUND: LOCTITE 577

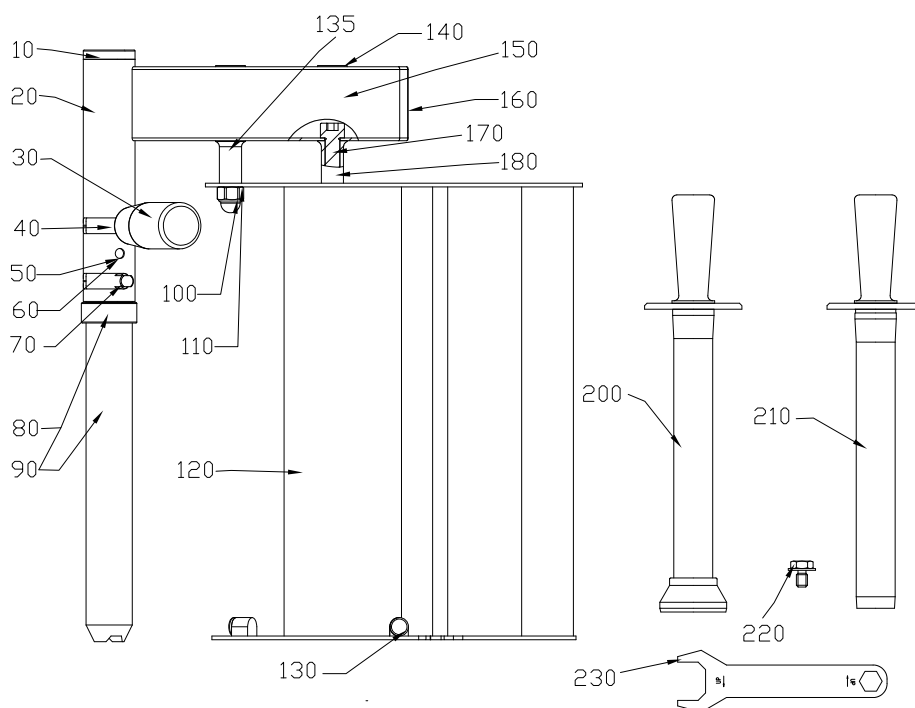
A: LOCTITE NO.242
B: LOCTITE NO.243

RG-400i / RG-400 PNEUMATIC PUSH FEEDER/ TRYCKLUFTSDRIVEN MATARE

No. on drawing	Item No.	Description	Beskrivning	Pcs
70	10348	Bushing PM12/14X15DX	Bussning PM12/14X15DX	2
80	3101	Nut M18	Mutter M18	1
90	3080	Operation rod	Manöverstång	1
100	37040	Piston	Matarkolv RF-400	1
110	3257	Guide knob	Glidkuts matarkolv	3
120	14224	Screw MKFS M4X12	Skruv MKFS M4X12	4
130	3295	Nut M16X1,5 low	Mutter M16X1,5 låg	1
140	14542	Screw M6S M8X16H A2 70	Skruv M6S M8X16H A2 70	4
160	10329	Plug IR20/40/1,5 S	Ändavslutning IR20/40/1,5 S	1
170	10367	Sign 1-3-2	Skylt ZBY0101 (1 3 2)	1
180	14374	Screw MCS M8X20 A2 70	Skruv MCS M8X20 A2 70	1
190	3099	Cap	Kåpa	1
200	14012	Nut M6M M12	Mutter M6M M12	1
210	3105	Thrust washer	Tryckbricka	1
220	14230	Screw MKFS M4X30	Skruv MKFS M4X30 A2	2
230	14004	Nut M6M M4 A2 70	Mutter M6M M4 A2 70	3
240	14084	Lock washer FBB 4.1 A2	Bricka fjäder FBB 4.1 A2	2
270	3129	Decoring device 3ph	Borrhylsa 3-fas	1
275	3162	Wrench	Nyckel till låshylsa	1
300	10109	Valve 234-000	Ventil 234 000	2
310	10354	Valve 245 000	Ventil 245-000	2
320	10392	Regulator Compl.	Filterregulator kompl.	1
330	10356	Valve reducer MCO-702-M5	Strypventil MCO-702-M5	2
350	10112	Adaptor 5180 1/4	Snabbkopplingsnippel 5180 1/4	1
360	10357	Quick connector 5084-10/8	Snabbkoppling 5084-10/8	1
370	10120	Tee niple 1/4	T-nippel 1/4	1
380	10358	Coupling 6512-4-M5	Rak koppling 6512-4-M5	2
390	10095	Coupling 6510-8-1/4	Rak koppling 6510-8-1/4	2
400	10359	Coupling 6510-8-1/8	Rak koppling 6510-8-1/8	2
410	10117	Elbow coupling 6520-4-1/8	Vinkelkoppling 6520-4-1/8	3
415	10097	Elbow coupling 6520-4-1/8	Vinkelkoppling S6520-8-1/4	1
420	10360	Elbow coupling 6520-8-1/8	Vinkelkoppling 6520-8-1/8	1
430	10361	Elbow coupling 6520-4-1/4	Vinkelkoppling 6520-4-1/4	1
440	10119	Cross coupling 6600-4	Korskoppling 6600-4	1
450	10362	Coupling Y 6560-4	Y-skarv 7560-4	2
460	10363	Silencer 2991-1/8	Ljudämpare 2991-1/8	1
470	10364	Silencer 2905-M5	Ljuddämpare 2905-M5	2
480	10492	Push button 200-895 start/stop	Tryckknapp 200-895 start/stop	2
500	10234	Hose PA12 4-2.7	Slang PA12 4-2.7	1
510	10235	Hose PUR-8/5.7	Slang PUR-8/5.7	1
520	10368	Hose PV10/8	Slang PV10/8	1
550	10493	Twist knob speed control	Vred hastighetskontrol	1
570	10490	Cylinder complete	Cylinder komplett	1
571	33311	Gasket kit for cylinder	Packningssats för cylinder	1
580	10352	Valve 358-033-1/8	Ventil 358-033-1/8	1
590	10108	Valve 234-945	Ventil gränsläge 234-945	2
600	10353	Valve or 81540 001	Ventil 81540001	1
610	10240	Valve 7880-08-13	Blockeringsventil HRP2X- 1/4	1
620	10546	T-coupling	T-rör S2070 1/8-1/8	1
630	10547	Reduce	Reducering S2520 1/8-1/4	1
640	10548	Gauge	Säkerhetsventil 2 VS 1/4 0,5-5	1

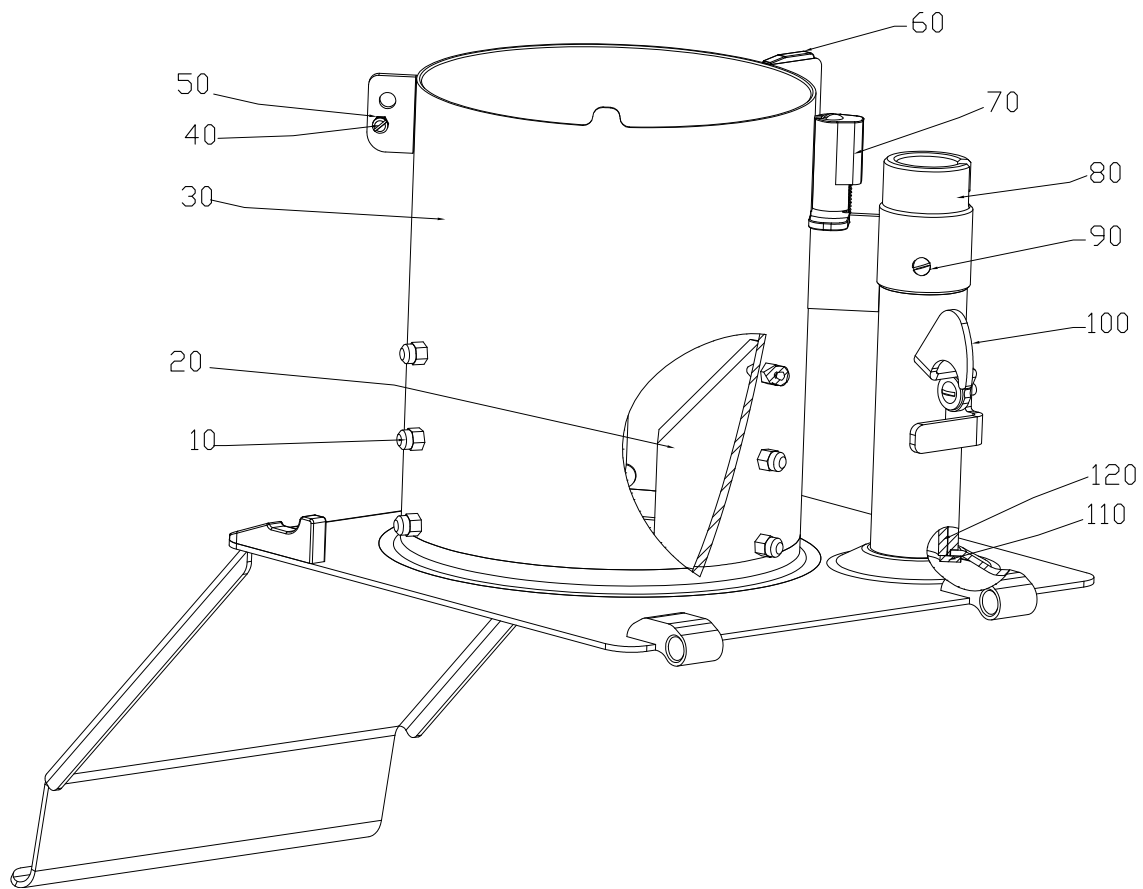
RG-400i / RG-400 4-TUBE INSERT/ 4-HÅLSMATARE

No. on drawing	Item No.	Description	Beskrivning	Pcs
10	10345	Plug GL 28 black	Täckpropp GL 28 svart	1
20	3254	Stand	Arm	1
30	3149	Stud screw	Pinnskruv	1
40	10343	Handle I280/65-M8	Handtag I280/65-M8	1
50	10454	Ball RB-6.35	Kula RB-6.35	1
60	10453	Spring 1X5X17	Tryckfjäder 1X5X17	1
70	3131	Bayonet pin	Tapp bajonett	1
80	3266	Bushing	Bussning	1
90	33354	Shaft w. bushing M99	Axel m. bussn, tratt, 4-H M99	1
100	14028	Nut MHM M8	Kupollåsmutter LMHM M8 A2	2
110	14088	Lock washer FBB 8.2 A2	Bricka fjäder FBB 8.2 A2	2
120	37064	4-tube insert	4-Hålsmatare	1
130	3257	Guide knob	Glidkuts matarkolv	3
135	3255	Spacer 16	Distans 16	1
140	10455	Plug IKPT 1715S	Täckpropp IKPT 1715S	2
150	3279	Sign warning	Skyllt varning	1
160	10329	Plug IR20/40/1,5 S	Ändavslutning IR20/40/1,5 S	1
170	14395	Screw MC6S M8X40	Skruv MC6S M8X40	2
180	3256	Spacer 25	Distans 25	1
200	3139	Pestle dia. 55	Stöt dia. 55	1
210	3138	Pestle dia. 31	Stöt dia. 31	1
220	3204	Locking bolt TR12V	Låsbulst TR12V	1
230	3162	Wrench	Nyckel till låshylsa	0



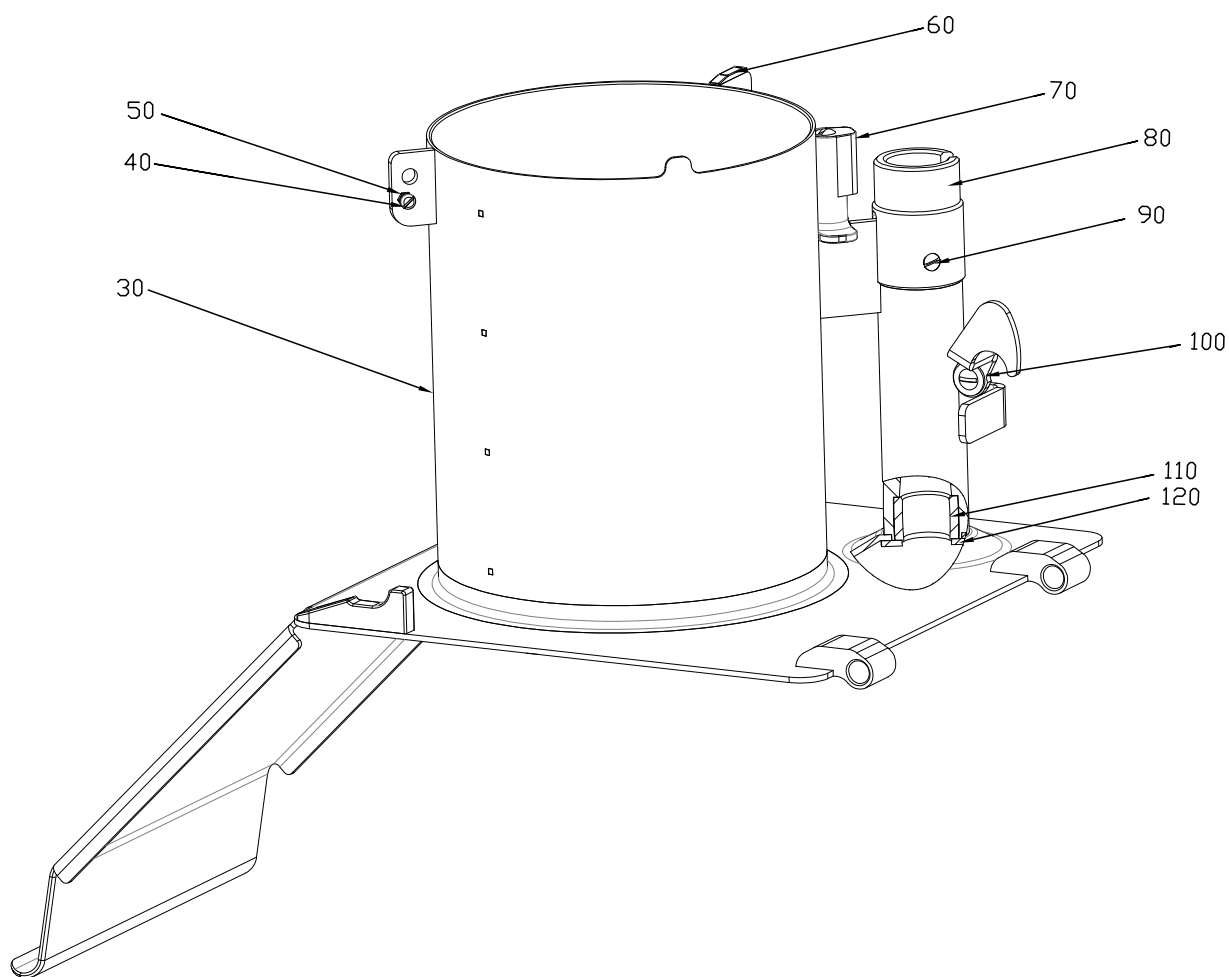
RG-400i FEED CYLINDER A/ MATARCYLINDER A

No. on drawing	Item No.	Description	Beskrivning	Pcs
10	3233	Nut M5	Mutter M5	9
20	3134	Knife	Kniv matarinsats	3
30	37024	Feed cylinder RG400i	Matarcylinder för kniv	1
40	14326	Screw MCS M4X16	Skruv MCS M4X16	1
50	14004	Nut M6M M4 A2 70	Mutter M6M M4 A2 70	1
60	37097	Slide knob	Glidkuts	1
70	37149	Stopper complete	Stoppklots Komplet	1
80	3253	Bayonet sleeve	Bajonetthylsa	1
90	14243	Screw MKFS M5X10	Skruv MKFS M5X10 RF	2
100	37162	Locking clutch complete	Låshake komplett	1
110	37151	Bushing holder complete	Bussnings hållare komplett	1
120	37243	Bushing	Bussning matarinsats	1



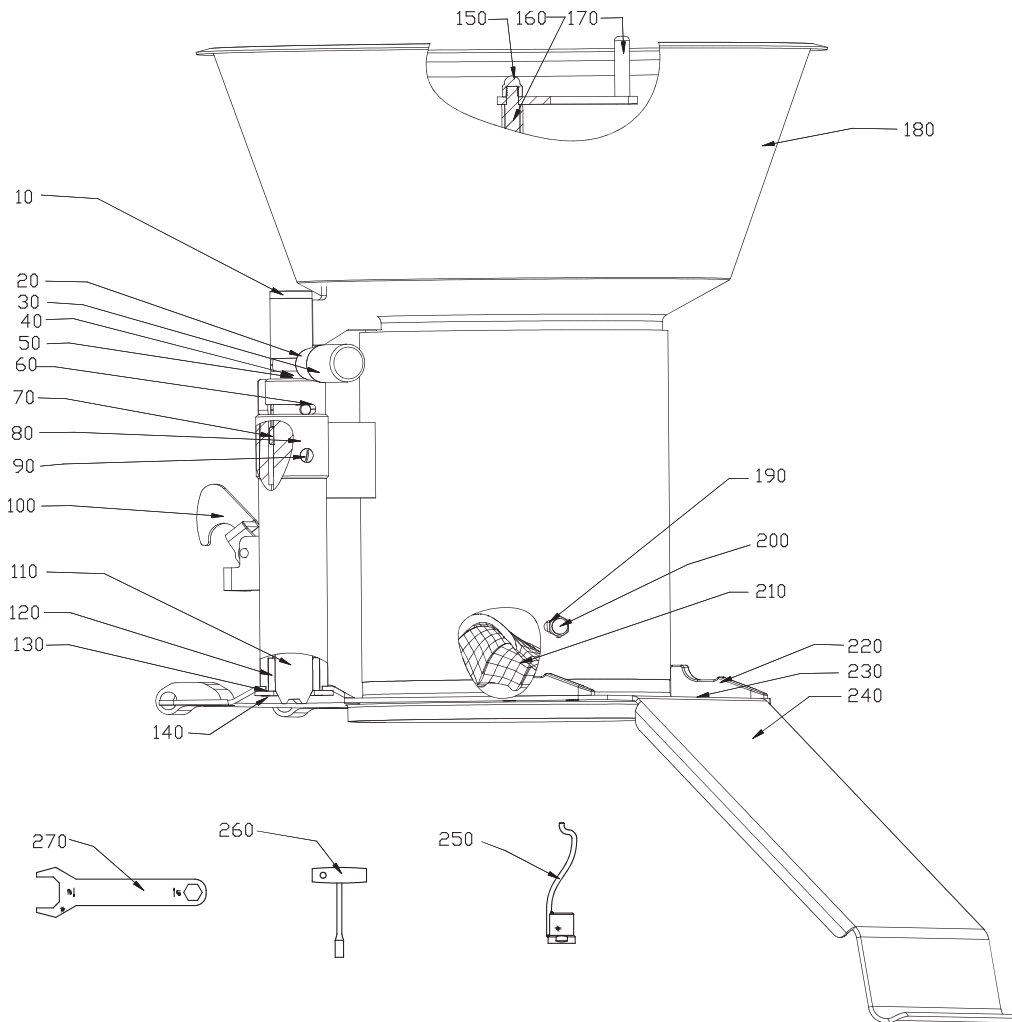
RG-400i FEED CYLINDER B/ MATARCYLINDER B

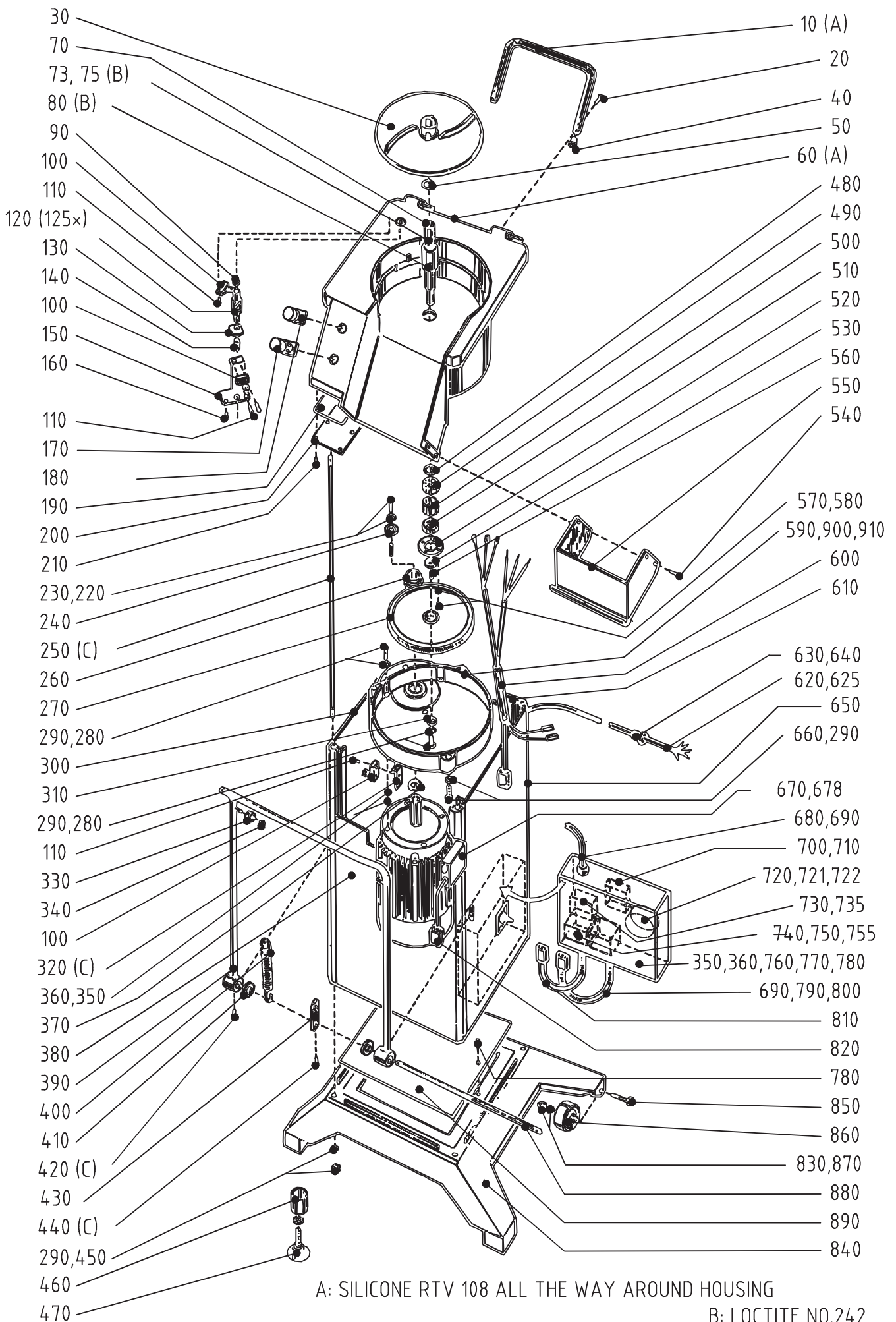
No. on drawing	Item No.	Description	Beskrivning	Pcs
30	37204	Manual feed cylinder RG400i	Matarcylinder med vägg	1
40	14326	Screw MCS M4X16	Skruv MCS M4X16	1
50	14004	Nut M6M M4 A2 70	Mutter M6M M4 A2 70	1
60	37097	Slide knob	Glidkuts	1
70	37149	Stopper complete	Stoppklots Komplet	1
80	3253	Bayonet sleeve	Bajonetthylsa	1
90	14243	Screw MKFS M5X10	Skruv MKFS M5X10 RF	2
100	37162	Locking clutch complete	Låshake komplett	1
110	37243	Bushing	Bussning matarinsats	1
120	37151	Bushing holder complete	Bussnings hållare komplett	1



RG-400i FEED HOPPER/ TRATTMATARE

No. on drawing	Item No.	Description	Beskrivning	Pcs
10	10345	Plug GL 28 black	Täckpropp GL 28 svart	1
20	3149	Stud screw	Pinnskruv	1
30	10343	Handle I280/65-M8	Handtag I280/65-M8	1
40	10453	Spring 1X5X17	Tryckfjäder 1X5X17	1
50	10454	Ball RB-6.35	Kula RB-6.35	1
60	3131	Bayonet pin	Tapp bajonett	1
70	3266	Bushing	Bussning	1
80	3253	Bayonet sleeve	Bajonethylsa	1
90	14243	Screw MKFS M5X10	Skruv MKFS M5X10 RF	2
100	37162	Locking clutch complete	Låshake komplett	1
110	33319	Shaft M99	Axel M99	1
120	37243	Bushing	Bussning matarinsats	1
130	37100	Bushing holder	Bussnings hållare	1
140	14101	Screw	Skruv MFS M3x4 A2	3
150	14028	Nut MHM M8	Kupollåsmutter LMHM M8 A2	1
160	3246	Stirrer for hopper	Omrörare	1
170	3311	Agitator arm	Omrörararm kompl.	1
180	33328	Hopper insert complete	Trattinsats komplett	1
190	14026	Domed head nut MHM M6	Mutter hatt MHM M6	4
200	14864	Stud screw PSH M6X25	Skruv pinn PSH M6X25	4
210	37081	Guide	Matarbås	2
220	37022	Locking distance	Låsdistans	2
230	14121	Screw MFS M4X6 A2 70	Skruv MFS M4X6 A2 70	4
240	37103	Feed cylinder for hopper RF	Matarcylinder för tratt RF	1
250	3249	Agitator device complete	Skruvkapsel komplett	1
260	10521	Socket wrench NV10	Hylsnyckel NV10	1
270	3162	Wrench	Nyckel till låshylsa	1





A: SILICONE RTV 108 ALL THE WAY AROUND HOUSING

LOCTITE NO. 243 ON ALL EARTH SCREWS (5 PCS)

B: LOCTITE NO.242

C: LOCTITE NO.243

(x)FÖR MASKINER SÅLDA FÖRE 99

RG-400

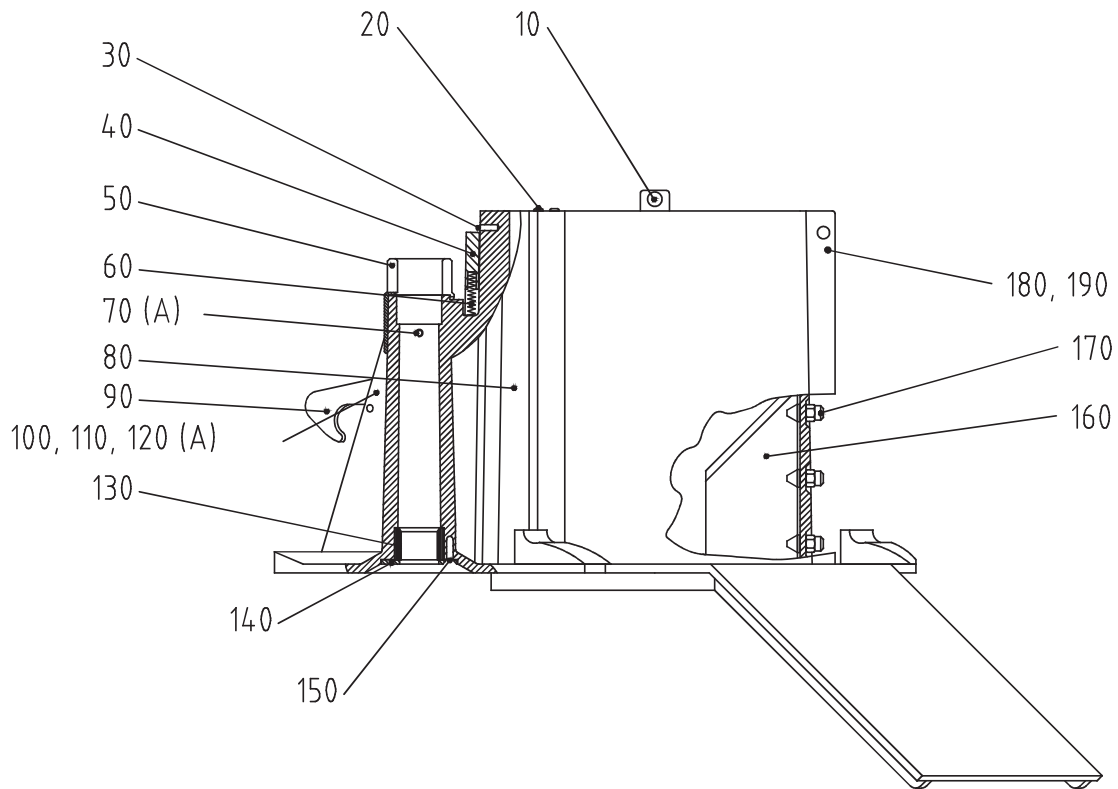
No. on drawing	Item No.	Description	Beskrivning	Pcs
10	3110	Handle knifechamber	Handtag, knivhus	1
20	14376	Screw MCS M8X30 A270	Skruv MCS M8X30 A2 70	2
30	3086	Ejector plate	Utmatarskiva	1
40	10344	Plug GL 320 black	Ändavslutning GL 20 svart	2
50	10311	Seal ring V-35S	Tätningring V-35S	1
60	3113	Knife chamber	Knivhus	1
70	3180	Knife shaft compl.	Knivaxel kompl.	1
73	40548	Carrier pin	Medbringarpinne	1
75	14844	Locking screw PSS M8X 12 A2 70	Stoppskruv PSS M8X12 A2 70	1
80	3152	Carrier pin for ejector plate	Medbringarpinne, utmatarskiva	1
90	10325	Seal ring 17.1X1.6	O-ring 17.1X1.6	1
100	15586	Safety switch KB5FKR-U	Microbryt. KB5FKR-ULS	3
110	14308	Screw MCS M3X20 A270	Skruv MCS M3X20 A2 70	6
120	33317	Shaft safety switch M99	Axel f. brytare M99	1
125	3125	Shaft f. safety switch	Axel f. brytare	1
130	3126	Thrust plate	Brytskiva	1
140	10324	Spring, safety switch 22510	Fjäder f. brytare 22510	1
150	3124	Bracket f. safety switch	Fästvinkel för brytare	1
160	14512	Screw M65 M5X10H A270	Skruv M65 M5X 10H A2 70	3
170	15439	Push button o complete	Tryckknapp o komplett	1
180	15440	Push button 1 complete	Tryckknapp 1 komplett	1
190	10323	Seal ring dia. 2.4 L=325	O-ringssnöre dia.2.5L325	1
200	3096	Cover plate	Täckplåt	1
210	14662	Screw KFSS ST3.5X13 A2 70	Skruv KFSS ST3.5X13 A2 70	6
220	14564	Screw M6F M10X30 A2 70	Skruv M6S M10X30H A2 70	1
230	14090	Washer FBB 10.2 A2	Bricka fjäder FBB 10.2 A2	1
240	3159	Washer for geel wheel, motor	Bricka för kugghjul, motor	1
250	3061	Pull rod M 8	Dragstång M8	4
260	3083	Gear wheel 52.6	Kugghjul 52.6	1
270	3057	Gear wheel 173.2	Kugghjul 173.2	1
280	14544	Screw M6S M8X22H A2 70	Skruv M6S M8X22H A2 70	5
290	14088	Lock washer FBB 8.2 A2	Bricka fjäder FBB 8.2 A2	7
300	3060 4	Machine housing left part	Maskinhus vänster sidostycke	1
310	3158	Washer gear wheel, knife shaft	Bricka för kugghjul k-axel	1
320	3130	Bracket f handle locking	Fästvinkel handtagslåsning	1
330	3107	Roller locking handle	Rulle, låshandtag	2
340	10326	Lock ring SGA 8 SS	Låsring SGA 8 RFR	2
350	14084	Lock washer FBB 4.1 A2	Bricka fjäder FBB 4.1 A2	1
360	14629	Screw RTK ST3,5X9,5	Skruv RTK ST3,5X9,5	2
370	10342	Seal ring basl 42X55X7	Tätningring 42X55X7	1
380	3060 1	Machine housing front part	Maskinhus framstycke	1
390	3078	Lock handle	Låshandtag, maskinenhet	1
400	3111	Tension spring	Dragfjäder	2
410	3089	Bushing for lock handle	Bussning för låshandtag	2
420	14849	Screw TSS 8X25 A2 70	Skruv TSS M8X25 A2 70	2
430	3108	Stopper for lock handle	Stopp för låshandtag	1
440	14845	Screw TSS 8X15 A2 70	Skruv TSS M8X15 A2 70	1
450	14048	Nut M8	Mutter, lås LM M8 A2 70	4
460	3154	Protection tube	Rörskydd, fot	2
470	10328	Rubber foot no. 19M 10X60	Fot gummi	2
480	10318	Seal ring 25X40X7	Tätningring 25X40X7	1
490	10320	Ball bearing 6205-2RS	Kullager 6205-2RS	1
500	3055	Spacer ring 20/28	Distans 41/52	1
510	10319	Ball bearing 6304 2RS	Kullager 6304 2RS	1
520	3054	Ball bearing cover	Kullagerlock	1
530	3056	Spacer ring 20/28	Distans 20/28	1
540	14443	Screw LSKS M5X12 A2 70	Skruv LSKS M5X12 A2 70	4

RG-400

No. on drawing	Item No.	Description	Beskrivning	Pcs
550	3112	Safety guard	Utloppsskydd	1
560	10321	Key PKR 6X6X16	Kil PKR 6X6X16	1
570	14085	Lock washer FBB 5,1 A2	FjäderBricka FBB 5.1 A2	4
580	14343	Screw MCS M5X12 70	Spårskruv MCS M5X12 A2 70	4
590	3120	Motor bearer	Motorfäste	1
600	3191	Wiring loom, machine	Kabelstam AWG maskinenhet	1
610	3060 3	Machine housing back part	Maskinhus bakstycke	1
620	3177	Supply cord STD	Kabel, el-box, inkommande-STD	1
625	3193	Supply cord US	Kabel, el-box, inkommande-US	1
630	15381	Cable ret PR 22.5 dia 15	Dragavlastare PR 22.5 dia 15	1
640	15443	Nut PR 22.5/PG16 metal	Mutter, metall PR 22.5/PG16	3
650	3060 2	Machine housing right part	Maskinhus höger sidostycke	1
660	14551	Screw M6S M8X60 A2 70	Skruv M6S M8X60 A2 70	3
670	15432	Motor 208-220 3 60 UL	Motor 208-220 3 60 UL	1
678	15435	Motor 400-415 3 50	Motor 400-415 3 50/60	1
680	15229	Cable retainer PR22,5	Dragavlastare plast PR22,5	1
700	15442	Pole changing switch incl knob	Polomkopplare inkl.vred	1
710	14602	Screw FSS ST2,9X13 A2 70	Skruv FSS ST2,9X13 A2 70	2
720	15589	Transformer 208-240v 22-26v UL	Transformator 208-240v UL	1
721	15611	Transformer 400/380V-24 50VA	Transformator 400-380V 24 50VA	1
722	15689	Transf. 440-415V 24 100VA 80C	Transf. 440-415V 24 100VA 80C	1
730	15814	Overl. rel. RF12400	Termoutlösare RF120400	1
735	15816	Overload RF120630	Termoutlösare RF120630	1
740	15825	Contactora 11BG0910A024	Kontaktor 11BG0910A024	2
750	14630	Screw RTS ST3,5X13 FZB	Skruv RTS ST3,5X13 FZB	8
755	15718	Varistor S20K510	Varistor S20K510	1
760	15587	Box CT-841	Apparatlåda CT-841 Polycarb.	1
770	15193	Ground plate M4	Jordskylt, gul 12,5X12,5	1
780	14731	Screw RXK-H ST4,8X9,5	Skruv RXK-H ST4,8X9,5	6
790	3195	Wiring loom pole changing	Kabelstam polomkopplare	1
800	15226	Cable seal 20,4	Kabelgenomföring PR20,4	2
810	3192	Wiring loom electrical box	Kabelstam el-box	1
820	3194	Wiring loom motor	Kabelstam motor	1
830	14028	Nut MHM M8	Kupollåsmutter LMHM M8 A2	2
840	3117	Base	Fotplatta	1
850	14553	Screw M6S M8X70 A2 70	Skruv M6S M8X70 A2 70	2
860	10327	Wheel 85 RNP	Hjul 85 RNP	2
870	10374	Washer 3MM nylon	Bricka 3MM nylon	4
880	3109	Shaft lock handle	Axel f. låshandtag	1
890	3143	Fan plate	Ventilationsplåt	1
900	10322	O-ring 236,5X2,4	O-ring 234,62X2,62	1
910	10350	Grease for gear box, GB0, 1kg	Fett för växellåda, GB0,	1

RG-400 FEED CYLINDER/ MATARCYLINDER

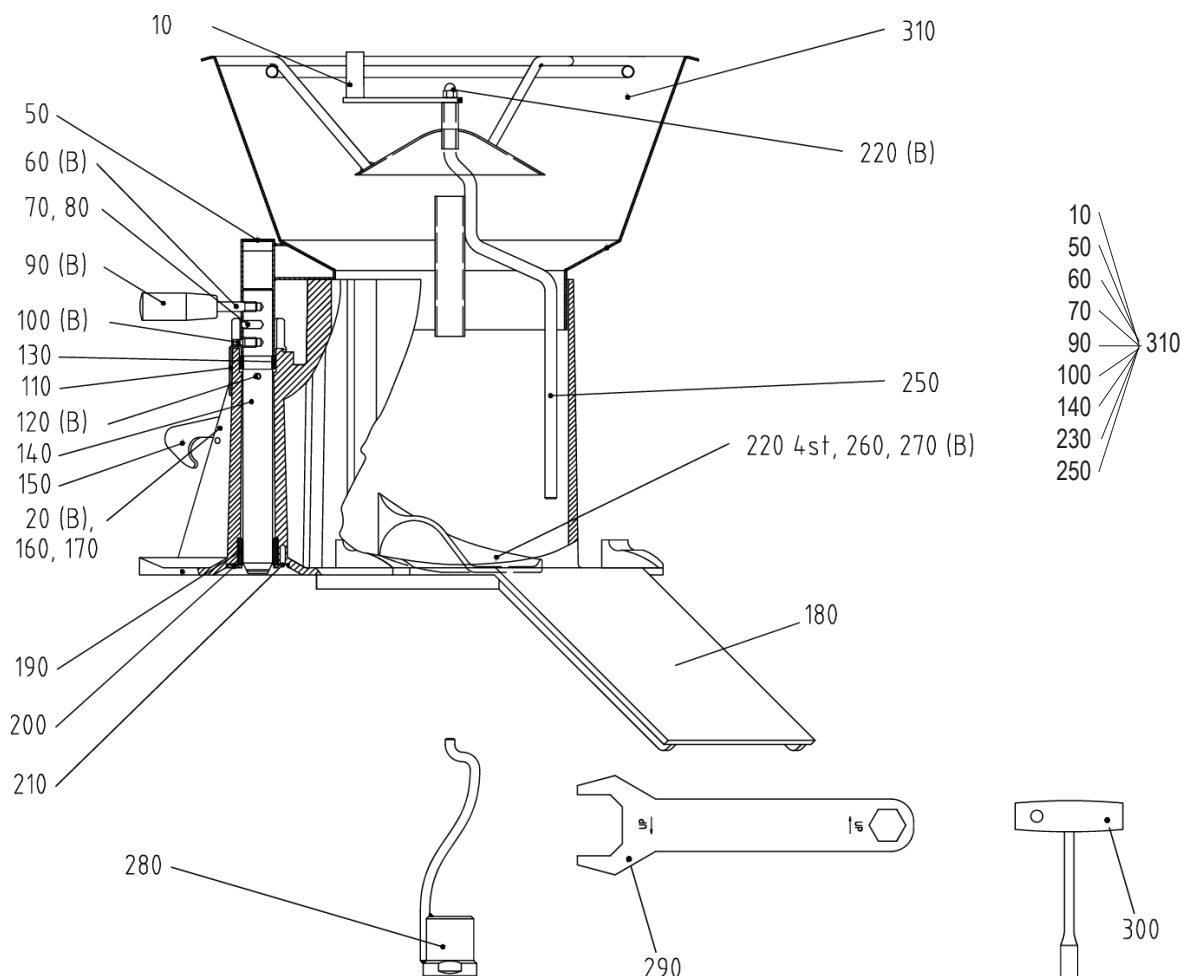
No. on drawing	Item No.	Description	Beskrivning	Pcs
10	33305	Slide knob dia. 10X4	Glidkuts dia. 10X3,75	1
20	40839	Slide knob	Glidkuts dia. 8	2
30	14714	Screw CSS ST3,5X9,5	Skruv CSS ST3,5X9,5	1
40	3085	Stopper, 4-tube/push feed att	Stoppklots matarinsats	1
50	3253	Bayonet sleeve	Bajonethylsa	1
60	10334	Spring ST-TFR 0,5X4X35	Fjäder ST-TFR 0,5X4X35	2
70	14243	Screw MKFS M5X10	Skruv MKFS M5X10 RF	1
80	33306	Feed cylinder	Matarcylinder, manuell m.	1
90	3234	Locking clutch f feed cylinder	Låshake till matarcylinder	1
100	3281	Plastic washer 18-6-2	Bricka plast 18-6-2	1
110	10436	Plastic washer 05-6-15-3	Bricka plast 05-6-15-3	1
120	14464	Screw LSKS M6X16	Skruv LSKS M6X16	1
130	3076	Bushing 25/34	Bussning matarinsats 25/34	1
140	3068	Bushing cover	Bussningshållare	3
150	14682	Screw KFSS ST4,8X13	Skruv KFSS ST4,8X13	3
160	3134	Knife	Kniv matarinsats	3
170	3233	Nut M5	Mutter M5	9
180	14326	Screw MCS M4X16	Skruv MCS M4X16	1
190	14004	Nut M6M M4 A2 70	Mutter M6M M4 A2 70	1



A: LOCTITE NO.243

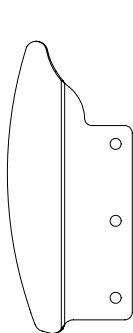
RG-400 FEED HOPPER/ TRATTMATARE

No. on drawing	Item No.	Description	Beskrivning	Pcs
10	3311	Agitator arm	Omrörararm kompl.	1
20	14464	Screw LSKS M6X16	Skruv LSKS M6X16	1
50	10345	Plug GL 28 black	Täckpropp GL 28 svart	1
60	3149	Stud screw	Pinnskruv	1
70	10454	Ball RB-6.35	Kula RB-6.35	1
80	10453	Spring 1X5X17	Tryckfjäder 1X5X17	1
90	10343	Handle I280/65-M8	Handtag I280/65-M8	1
100	3131	Bayonet pin	Tapp bajonett	1
110	3253	Bayonet sleeve	Bajonethylsa	1
120	14243	Screw MKFS M5X10	Skruv MKFS M5X10 RF	2
130	3266	Bushing	Bussning	1
140	3094	Shaft	Axel, tratt -månghålsins	1
150	3234	Locking clutch f feed cylinder	Låshake till matarcyliinder	1
160	3281	Plastic washer 18-6-2	Bricka plast 18-6-2	1
170	10436	Plastic washer 05-6-15-3	Bricka plast 05-6-15-3	1
180	3039	Feed cylinder for feed hopper	Matarcyliinder för trattmatare	1
190	3076	Bushing 25/34	Bussning matarinsats 25/34	1
200	3068	Bushing cover	Bussningshållare	1
210	14682	Screw KFSS ST4,8X13	Skruv KFSS ST4,8X13	3
220	14026	Domed head nut MHM M6	Mutter hatt MHM M6	5
250	3246	Stirrer for hopper	Omrörare	1
260	3232	Guide	Matarbås (kort)	2
270	14864	Stud screw PSH M6X25	Skruv pinn PSH M6X25	4
280	3249	Agitator device complete	Skruvkapsel komplett	1
290	3162	Wrench	Nyckel till låshylsa	1
300	10521	Socket wrench NV10	Hylsnyckel NV10	1
310	33328	Hopper insert complete	Trattinsats komplett	1
140 1	33319	Shaft M99	Axel M99	1

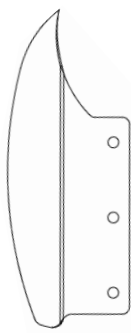


SPARE PARTS CUTTING TOOLS FOR RG-100, RG-200, RG-250 AND RG-7

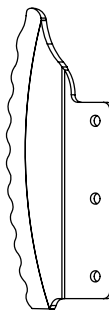
Cutting Tool	No. on drawing	Item No.	Description
Slicer	10	63303	Knife, Slicer 0.5-1 mm
	20	63324	Knife, Slicer 1.5-10 mm
Crimping Slicer	30	63301	Knife, Crimping Slicer
Julienne Cutter	40	63331	Kit spare part Julienne 2x2mm
		63354	Kit spare part Julienne 2x6 mm
		63357	Kit spare part Julienne 3x3 mm
		63332	Kit spare part Julienne 4x4mm
		63333	Kit spare part Julienne 6x6mm
		63334	Kit spare part Julienne 8x8mm
		63330	Kit spare part Julienne 10x10mm
Grater/Shredder	50	87101	Plate for 1.5 mm, Grater
		87102	Plate for 2 mm, Grater
		87103	Plate for 3 mm, Grater
		87104	Plate for 4.5 mm, Grater
		87105	Plate for 6 mm, Grater
		87106	Plate for 8 mm, Ggrater
		87107	Plate for 10 mm, Grater
Fine Grater	60	87108	Plate, Fine Grater
	70	87109	Plate, Grater Extra Fine
	80	87110	Hard Cheese Grater plate



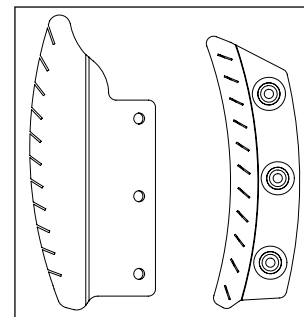
10



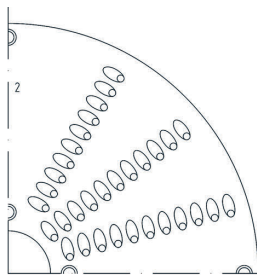
20



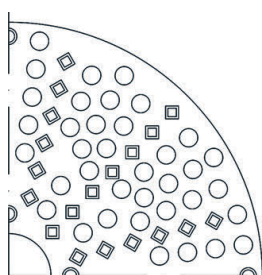
30



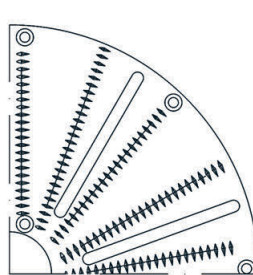
40



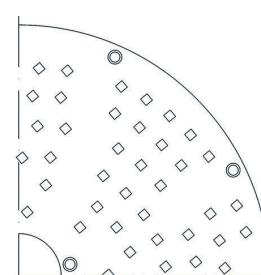
50



60



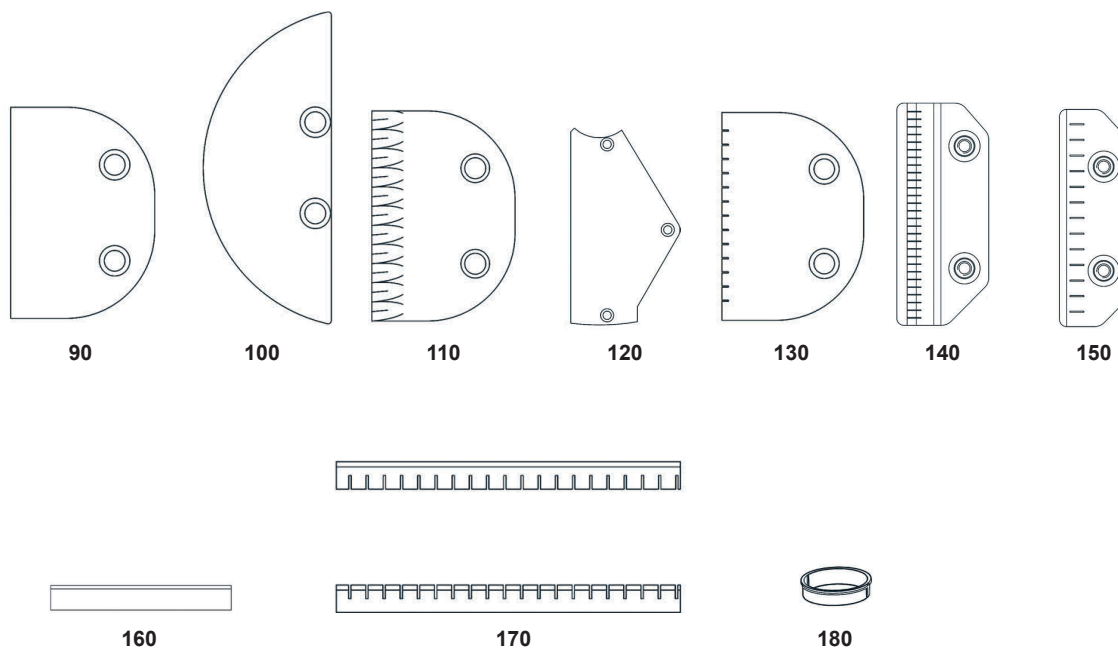
70



80

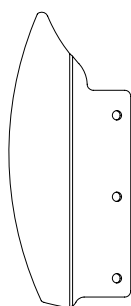
SPARE PARTS CUTTING TOOLS FOR CC, RG-50, RG-100, RG-200, RG-250 AND RG-7

Cutting Tool	No. on drawing	Item No.	Description
Standard Slicer	90	87111	Knife, Standard Slicer
Fine Cut Slicer	100	87112	Knife, Fine Cut Slicer
Crimping Slicer	110	87113	Knife, Crimping Slicer
Soft Slicer	120	87114	Knife, Soft Slicer
Julienne Cutter	90	87111	Knife, Standard Slicer
	130	87116	Horizontal knife, 4.5x4.5 mm
		87117	Horizontal knife, 6x6 mm
		87118	Horizontal knife 8x8 mm
		87119	Horizontal knife 10x10 mm
	140	87120	Knife balk, 2x2 mm
		87121	Knife balk, 2x2 mm CC
		87122	Knife balk, 2.5x2.5 mm
	150	87123	Knife balk, 4.5x4.5 mm
		87124	Knife balk, 4.5x4.5 mm CC
		87125	Knife balk, 6x6 mm
87126		Knife balk, 8x8 mm	
87127		Knife balk, 10x10 mm	
Potato Chip Grid for RG-7 and RG-250	160	3797	Compl kit knives potato chip grid
Dicing Grid for RG-7, RG-200 and RG-250	170	82355	Compl. kit knives, 6.25 mm
		82356	Compl. kit knives, 7.5 mm
		82357	Compl. kit knives, 10 mm
		82358	Compl. kit knives, 12.5 mm
		82359	Compl. kit knives, 15 mm
		82360	Compl. kit knives, 20 mm
		82361	Compl. kit knives, 25 mm
Dicing Grid for RG-200 and RG-250	180	82464	Center ring di.34

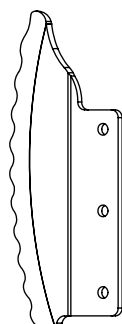


SPARE PARTS CUTTING TOOLS FOR RG-350/RG-400 AND RG-400i

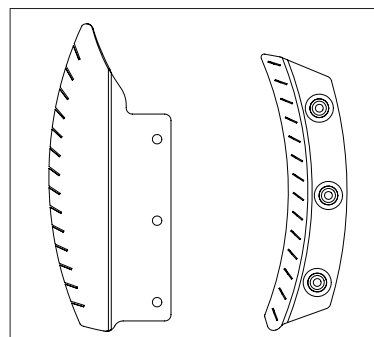
Cutting Tool	No. on drawing	Item No.	Description
Slicer	10	63302	Knife, Slicer
Crimping Slicer	20	63300	Knife, Crimping Slicer
Julienne Cutter	30	63336	Kit spare part Julienne 2x2mm
		63356	Kit spare part Julienne 2x6mm
		63358	Kit spare part Julienne 3x3 mm
		63337	Kit spare part Julienne 4x4mm
		63338	Kit spare part Julienne 6x6mm
		63339	Kit spare part Julienne 8x8mm
		63335	Kit spare part Julienne 10x10mm
Grater/Shredder	40	87128	Plate for 1.5 mm, Grater
		87129	Plate for 2 mm, Grater
		87130	Plate for 3 mm, Grater
		87131	Plate for 4.5 mm, Grater
		87132	Plate for 6 mm, Grater
		87133	Plate for 8 mm, Grater
		87134	Plate for 10 mm, Grater
Fine Grater	50	87135	Plate, Fine Grater
	60	87136	Plate, Grater Extra Fine
	70	87137	Plate Hard Cheese Grater



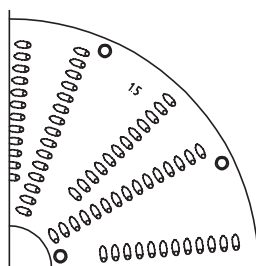
10



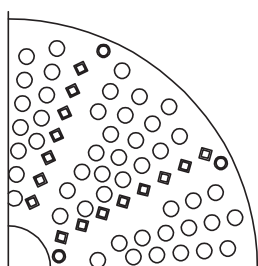
20



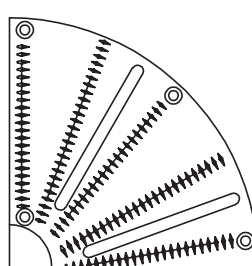
30



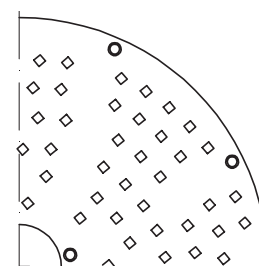
40



50



60



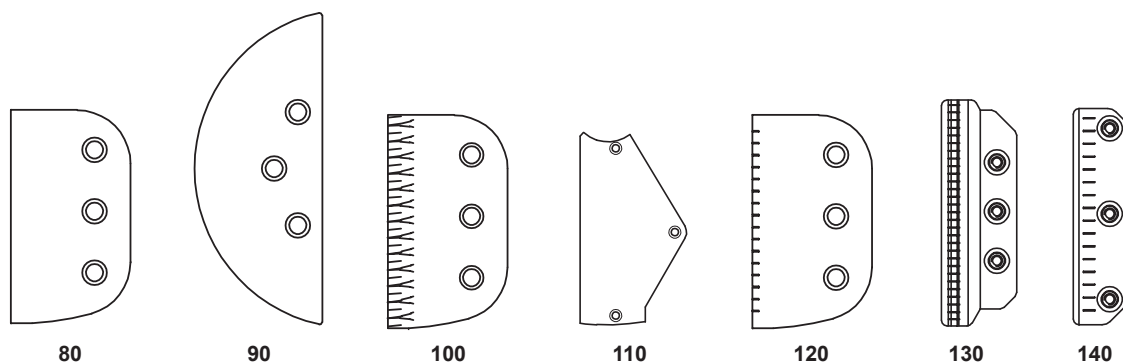
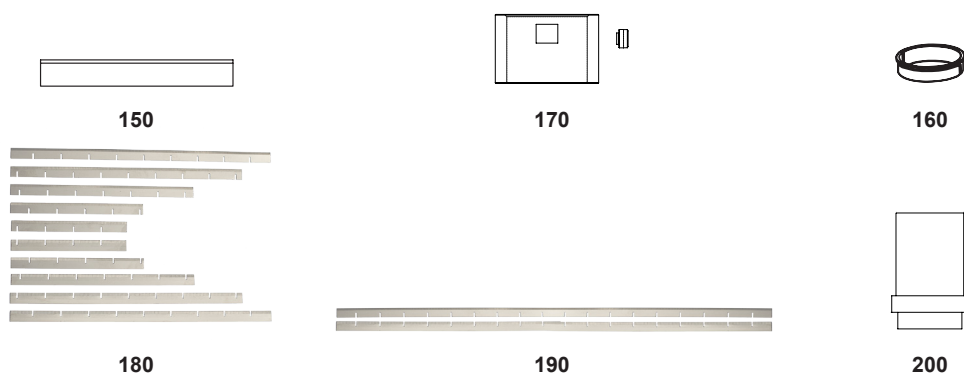
70

SPARE PARTS CUTTING TOOLS FOR RG-350/RG-400 AND RG-400i

Cutting Tool	No. on drawing	Item No.	Description
Standard Slicer / HC Slicer	80	87138	Knife, tandard Slicer
Fine Cut Slicer	90	87139	Knife, Fine Cut Slicer
Crimping Slicer	100	87140	Knife, Crimping Slicer
Soft Slicer	110	87141	Knife, Soft Slicer
Julienne Cutter	130	87142	Knife balk, 2.5x2.5 mm
		87143	Knife balk, 2.5x6 mm
Julienne Cutter / HC Julienne Cutter	80	87138	Knife, Standard Slicer
		87145	Horizontal knife, 4.5x4.5 mm
		87146	Horizontal knife, 6x6 mm
	120	87147	Horizontal knife, 10x10 mm
		87148	Knife balk, 2x2 mm
		87149	Knife balk, 4.5x4.5 mm
		87150	Knife balk, 6x6 mm
HC Julienne Cutter	120	87151	Knife balk, 10x10 mm
		87152	Horizontal knife, 2x2 mm
	140	87153	Horizontal knife, 8x8 mm
140	87154	Knife balk, 8x8 mm	

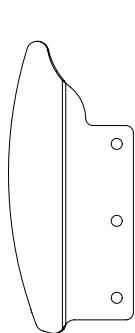
SPARE PARTS POTATO CHIP GRID AND DICING GRIDS RG-350/RG-400 AND RG-400i

Cutting Tool	No. on drawing	Item No.	Description
Potato Chip Grid	150	35734	Compl. knife kit potato chip grid
Center ring for RG-350/400	160	62553	Center ring di.39 DW RG6-400
Center ring for RG-400i	160	62743	Center ring
Ceramic kit for RG-400i	170	37252	Ceramic kit
Complete knife kit for Dicing Grids	180	62431	Compl. kit knives, DG 6 mm
		62432	Compl. kit knives, DG 8 mm
		62433	Compl. kit knives, DG 10 mm
		62434	Compl. kit knives, DG 12 mm
		62435	Compl. kit knives, DG 15 mm
		62436	Compl. kit knives, DG 20 mm
		62437	Compl. kit knives, DG 25 mm
1 meter knife blade for Dicing Grids	190	82331	Knife blade, upper 6 mm, 1 M
		82332	Knife blade, lower 6 mm, 1 M
		82333	Knife blade, upper 8 mm, 1 M
		82334	Knife blade, lower 8 mm, 1 M
		82335	Knife blade, upper 10 mm 1 M
		82336	Knife blade, lower 10 mm, 1 M
		82337	Knife blade, upper 12 mm, 1 M
		82338	Knife blade, lower 12 mm, 1 M
		82339	Knife blade, upper 15 mm, 1 M
		82340	Knife blade, lower 15 mm, 1 M
		82341	Knife blade, upper 20 mm, 1 M
		82342	Knife blade, lower 20 mm, 1 M
		82343	Knife blade, upper 25 mm, 1 M
		82344	Knife blade, lower 25 mm, 1 M
Tool for inner lock ring	200	62449	Tool for inner lock ring

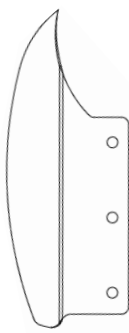


RESERVDLAR SKÄRVERKTYG TILL RG-100, RG-200, RG-250 OCH RG-7

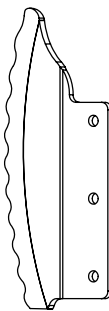
Skärverktyg	Nr. enl. ritning	Art.nr.	Beskrivning
Skivare	10	63303	Kniv, Skivare 0,5-1 mm
	20	63324	Kniv, Skivare 1,5-10 mm
Räffelskivare	30	63301	Kniv, Räffelskivare
Strimlare	40	63331	Kit Strimlare 2x2 mm
		63354	Kit Strimlare 2x6 mm
		63357	Kit Strimlare 3x3 mm
		63332	Kit Strimlare 4x4 mm
		63333	Kit Strimlare 6x6 mm
		63334	Kit Strimlare 8x8 mm
		63330	Kit strimlare 10x10 mm
Råkostrivare	50	87101	Plåt till 1,5 mm
		87102	Plåt till 2 mm
		87103	Plåt till 3 mm
		87104	Plåt till 4,5 mm
		87105	Plåt till 6 mm
		87106	Plåt till 8 mm
		87107	Plåt till 10 mm
Finrivare	60	87108	Plåt, Finrivare
	70	87109	Plåt, Finrivare, Extra fin
	80	87110	Plåt, Hårdostrivare



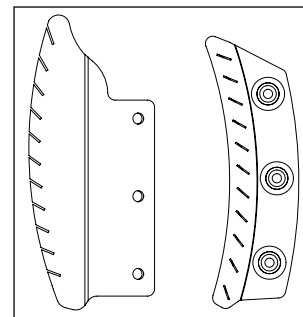
10



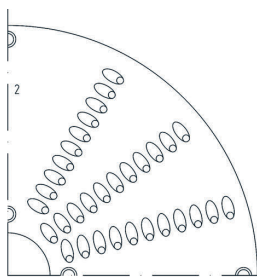
20



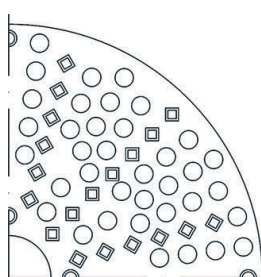
30



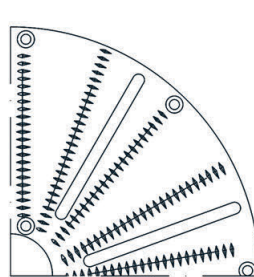
40



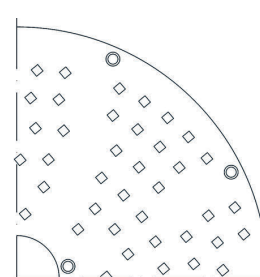
50



60



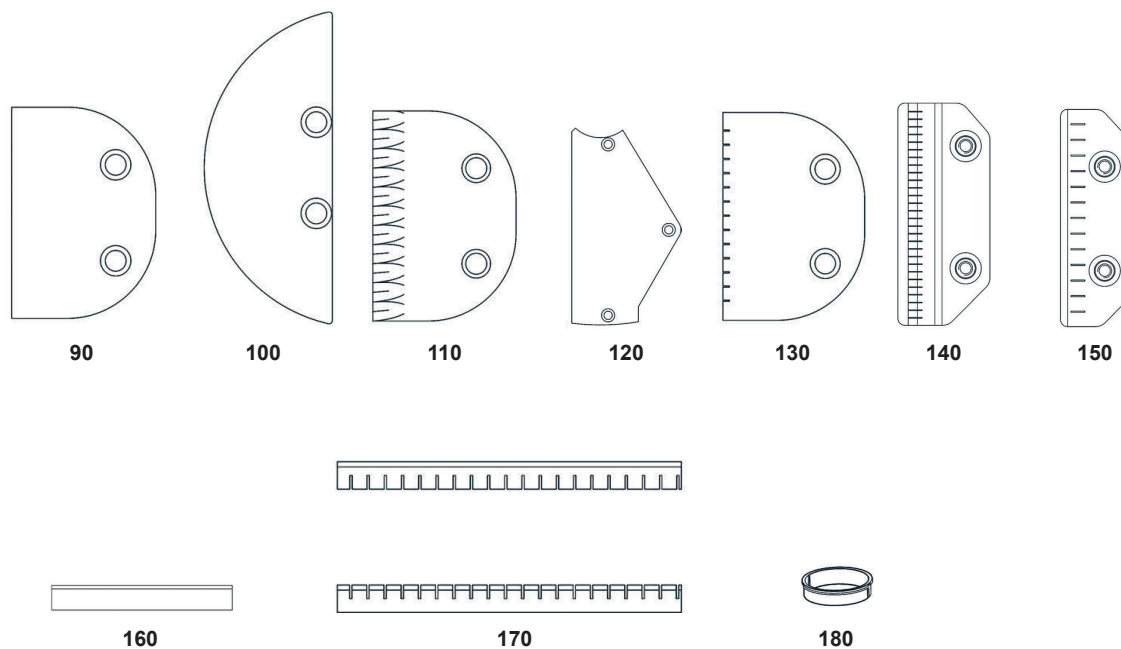
70



80

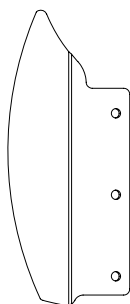
RESERVDELAR SKÄRVERKTYG TILL CC, RG-50, RG-100, RG-200, RG-250 OCH RG-7

Skärverktyg	Nr. enl. ritning	Art.nr.	Beskrivning
Standardskivare	90	87111	Kniv, Standardskivare
Finsnittskivare	100	87112	Kniv, Finsnittskivare
Räffelskivare	110	87113	Kniv, Räffelskivare
Soft Slicer	120	87114	Kniv, Soft slicer
Strimlare	90	87111	Kniv, Standardskivare
	130	87116	Horisontalkniv 4,5x4,5 mm
		87117	Horisontalkniv 6x6 mm
		87118	Horisontalkniv 8x8 mm
		87119	Horisontalkniv 10x10 mm
	140	87120	Knivbalk, 2x2 mm
		87121	Knivbalk, 2x2 mm CC
		87122	Knivbalk, 2,5x2,5 mm
	150	87123	Knivbalk, 4,5x4,5 mm
		87124	Knivbalk, 4,5x4,5 mm CC
	87125	Knivbalk, 6x6 mm	
	87126	Knivbalk, 8x8 mm	
	87127	Knivbalk, 10x10 mm	
Pommes Frites Galler till RG-7 och RG-250	160	3797	Knivsats kompl. Pommes Frites Galler
Tärningsgaller till RG-7, RG-200 och RG-250	170	82355	Knivsats komplett 6 mm
		82356	Knivsats komplett 8 mm
		82357	Knivsats komplett 10 mm
		82358	Knivsats komplett 12 mm
		82359	Knivsats komplett 15 mm
		82360	Knivsats komplett 20 mm
		82361	Knivsats komplett 25 mm

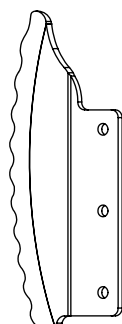


RESERVDLAR SKÄRVERKTYG TILL RG-350/RG-400 och RG-400i

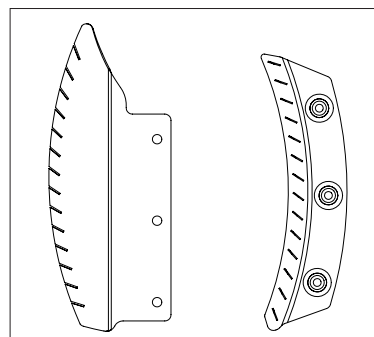
Skärverktyg	Nr. enl. ritning	Art.nr.	Beskrivning
Skivare	10	63302	Kniv, Skivare
Räffelskivare	20	63300	Kniv, Räffelskivare
Strimlare	30	63336	Kit Strimlare 2x2mm
		63356	Kit Strimlare 2x6mm
		63358	Kit Strimlare 3x3 mm
		63337	Kit Strimlare 4x4mm
		63338	Kit Strimlare 6x6mm
		63339	Kit Strimlare 8x8mm
		63335	Kit Strimlare 10x10mm
Råkostrivare	40	87128	Plåt till 1,5 mm
		87129	Plåt till 2 mm
		87130	Plåt till 3 mm
		87131	Plåt till 4,5 mm
		87132	Plåt till 6 mm
		87133	Plåt till 8 mm
		87134	Plåt till 10 mm
Finrivare	50	87135	Plåt, Finrivare
	60	87136	Plåt, Finrivare, Extra fin
	70	87137	Plåt, Hårdostrivare



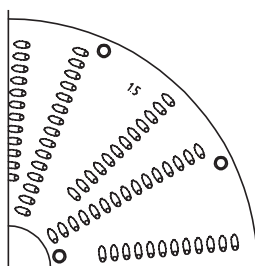
10



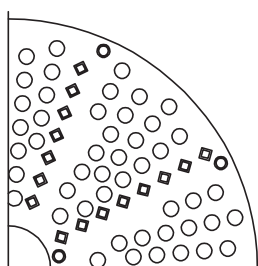
20



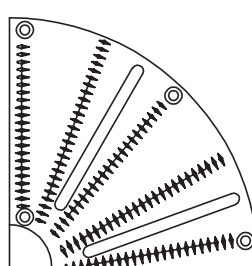
30



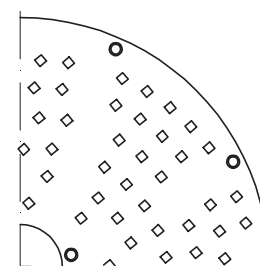
40



50



60



70

RESERVDLAR SKÄRVERKTYG RG-350/RG-400 och RG-400i

Skärverktyg	Nr. enl. ritning	Art.nr.	Beskrivning
Standardskivare / HK Skivare	80	87138	Kniv, Standardskivare
Finsnittskivare	90	87139	Kniv, Finsnittskivare
Räffelskivare	100	87140	Kniv, Räffelskivare
Soft Slicer	110	87141	Kniv, Soft Slicer
Strimlare	130	87142	Knivbalk, 2,5x2,5 mm
		87143	Knivbalk, 2,5x6 mm
Strimlare / HK Strimlare	80	87138	Kniv, Standardskivare
	120	87145	Horisontalkniv, 4,5x4,5 mm
		87146	Horisontalkniv, 6x6 mm
		87147	Horisontalkniv, 10x10 mm
	130	87148	Knivbalk, 2x2 mm
	140	87149	Knivbalk, 4,5x4,5 mm
		87150	Knivbalk, 6x6 mm
87151		Knivbalk, 10x10 mm	
HK Strimlare	120	87152	Horisontalkniv, 2x2 mm
		87153	Horisontalkniv, 8x8 mm
	140	87154	Knivbalk, 8x8 mm

RESERVDELAR POMMES FRITES- OCH TÄRNINGSGALLER RG-350/RG-400 OCH RG-400i

Skärverktyg	Nr. enl. ritning	Art.nr.	Beskrivning
Pommes Frites Galler	150	35734	Knivsats kompl. Pommes Frites Galler
Centrumring till RG-350/400	160	62553	Centrumring di.39 DW
Centrumring till RG-400i	160	62743	Centrumring
Kerambussning till RG-400i	170	37252	Kerambussnings kit
Komplett knivset till Tärningsgaller	180	62431	Knivsats komplett TG 6 mm
		62432	Knivsats komplett TG 8 mm
		62433	Knivsats komplett TG 10 mm
		62434	Knivsats komplett TG 12 mm
		62435	Knivsats komplett TG 15 mm
		62436	Knivsats komplett TG 20 mm
		62437	Knivsats komplett TG 25 mm
1 meters knivblad till Tärningsgaller	190	82331	Knivblad över TG 6 mm, 1 M
		82332	Knivblad under TG 6 mm, 1 M
		82333	Knivblad över TG 8 mm, 1 M
		82334	Knivblad under TG 8 mm, 1 M
		82335	Knivblad över TG 10 mm, 1 M
		82336	Knivblad under TG 10 mm, 1 M
		82337	Knivblad över TG 12 mm, 1 M
		82338	Knivblad under TG 12 mm, 1M
		82339	Knivblad över TG 15 mm, 1 M
		82340	Knivblad under TG 15 mm, 1 M
		82341	Knivblad över TG 20 mm, 1 M
		82342	Knivblad under TG 20 mm, 1 M
		82343	Knivblad över TG 25 mm, 1 M
		82344	Knivblad under TG 25 mm 1 M
Verktyg för centrumring	200	62449	Verktyg för centrumring

